

Congratulations

We congratulate you on your new Campster and would like to thank you for choosing a quality product from PÖSSL.

With a Campster from PÖSSL you always have the right travelling companion for every trip: Whether for a city trip, a short excursion or your family holidays. The high quality standard and the large variability furthermore enthrall. Many useful details prove to be extremely practical when on the road making your holiday even more relaxed.

Each PÖSSL vehicle is manufactured with great care and the quality is closely checked. This ensures that our products have a long service life.

This instruction manual deals primarily with the aspect of living in your Campster. It will give you all important information and tips so that you can enjoy all technical advantages of your Campster to the full. We have also included a chapter on maintenance - and thus on the conservation of value.

In addition, you will find the documents on the base vehicle and the various built-in appliances.

For maintenance work or whenever you need some help, please always get in touch with your CAMPSTER dealer. They know your caravan best of all and will meet all your requests fast and reliably.

We wish you a lot of fun with your Campster, a relaxing holiday and safe driving at all times.

1	Records	5	7.6.1	Converting the bench seat to the sleeping position	31
1.1	Vehicle document	5	7.6.2	Converting the bench seat to the travelling position	32
1.2	Warranty	5	7.6.3	Positioning the seats variably	34
1.3	Inspection plan	6	7.6.4	Possible seating arrangements	36
1.4	Inspection records	7	7.7	Table	37
1.5	Inspection certificates for electrical inspection	8	7.7.1	Suspension table with fold-out leg	37
			7.7.2	Suspension table with telescopic leg (optional)	37
2	Introduction	9	7.8	LED lighting strips under the bed	39
2.1	General	10	7.9	Pop-up roof	40
2.2	Environmental tips	11	7.9.1	Opening the pop-up roof	40
3	Safety	12	7.9.2	Using the sleeping area	41
3.1	Fire prevention	12	7.9.3	Mounting the falling-out protection	42
3.1.1	Avoidance of fire risks	12	7.9.4	Panorama function in the pop-up roof	42
3.1.2	Fire-fighting	12	7.9.5	Closing the pop-up roof	43
3.1.3	In case of fire	12	7.10	Kitchen unit	44
3.2	General	13	7.10.1	Removing and installing the kitchen unit	44
3.3	Road safety	13	7.10.2	Removing and installing the kitchen unit mount	45
3.4	Towing	14	7.11	Using the kitchen unit outdoors	46
3.5	Gas system	14	7.11.1	Outdoor package 1 (special equipment)	46
3.5.1	General information	14	7.11.2	Outdoor package 2 (special equipment)	47
3.5.2	Gas bottle	16			
3.6	Electrical system	16	8	Gas system	48
3.7	Water system	16	8.1	General	48
4	Before the journey	17	8.2	Gas bottle	49
4.1	Payload	17	8.3	Establishing the gas connection	50
4.1.1	Terms	17	8.4	Changing gas bottles	51
4.1.2	Calculating the payload	18	8.5	Gas isolator tap	52
4.1.3	Loading the vehicle correctly	19	8.6	Automatic gas isolator tap	52
4.1.4	Roof load	19	8.7	Remote gas switch	53
4.2	Television	19	9	Electrical system	54
4.3	Road safety	20	9.1	General safety instructions	54
5	During the journey	22	9.2	12 V power supply	54
5.1	Driving the Campster	22	9.2.1	Living area battery	54
5.2	Driving speed	22	9.3	Transformer/rectifier (EBL 119)	57
5.3	Seat belts	22	9.3.1	Battery cut-off switch	58
5.3.1	Using the seat belt correctly	23	9.3.2	Battery selector switch	58
5.4	Driver's seat and front passenger's seat	23	9.3.3	Battery monitoring	59
5.5	Seating arrangement	24	9.3.4	Charging the battery	59
5.6	Operation of heater and cooker	25	9.4	Panel LT 104	60
6	Setting up the Campster	26	9.4.1	Read battery voltage	60
6.1	Handbrake	26	9.4.2	Battery alarm for the living area battery	60
6.2	230 V connection	26	9.4.3	12 V main switch	61
6.3	Coolers (special equipment)	26	9.4.4	12 V indicator lamp	61
7	Living	27	9.4.5	230 V indicator lamp	61
7.1	Flap for 230 V connection, square	27	9.5	230 V power supply	61
7.2	Ventilation	27	9.5.1	230 V connection	62
7.3	Heating and cooling	28	9.6	Fuses	62
7.4	Sliding door	29	9.6.1	Main fuses 12 V	62
7.5	Rotating the seats	29	9.6.2	12 V fuses	63
7.6	Bench seat	30			

9.6.3	230 V fuse	64
9.6.4	Fuse of remote gas switch	65
10	Appliances	66
10.1	General	66
10.2	Diesel independent vehicle heater (special equipment).	66
10.3	Diesel independent vehicle heater operating panel	67
10.4	Gas cooker.	67
10.5	Coolers (optional).	69
11	Sanitary fittings	71
11.1	Water supply, general	71
11.2	Water canister	71
11.3	Waste water canister	72
11.4	Water system	73
12	Care	74
12.1	External care	74
12.1.1	Washing with a high-pressure cleaner.	74
12.1.2	Washing the vehicle.	74
12.2	Interior care	74
12.3	Instructions for care of the pop-up roof	75
12.4	Winter care.	76
12.4.1	Winter operation.	76
12.5	Lay-up	77
12.5.1	Temporary lay-up.	77
12.5.2	Winter lay-up	78
12.5.3	Starting up the vehicle after a temporary lay-up or after lay-up over winter	79
13	Maintenance.	80
13.1	Official inspections.	80
13.2	Inspection work	80
13.3	Maintenance work	80
13.3.1	General	80
13.3.2	Maintenance work at the pop-up roof	80
13.4	Replacing LED lights	81
13.5	Spare parts	81
13.6	Vehicle identification plate	82
13.7	Warning and information stickers.	82
13.8	Changing tyres.	82
14	Troubleshooting.	83
14.1	Electrical system	83
14.2	Gas system	84
14.3	Cooker	85

1.3 Inspection plan

Pos.	Component	Activity	Interval
1	Fault current protection switch	Function check with every connection to the 230 V supply	Semi-annually
2	Joints, hinges	Lubricate	Annually
3	Cooler 1 and 2, heater, cooler, lighting, storage flap and door closures, seat belts	Function check	Annually
4	Pop-up roof	Function check, water ingress test	Annually
5	Cushion	Visual check	Annually
6	Sealing rubbers and joints	Check for damage	Annually
7	Water supply	Water ingress test	Annually
8	Hot-air system	Function check, clean fan wheel if necessary	Annually
9	Electrical system	Function check	Annually
10	Gas system	Official gas inspection	Every two years

We reserve the right to modify the inspection plan.

1.4 Inspection records

Delivery

Date:

Signature and stamp of the CAMPSTER dealer:

1st year

Date:

Signature and stamp of the CAMPSTER dealer:

- No defects found
- Found defects:

Should it be determined during an inspection that additional work is necessary, then the carrying out of this work is dependent on the customer commissioning this to be done. Please also adhere to the service intervals stipulated by the manufacturers of the individual equipment. Information is included in the service documents enclosed.

1.5 Inspection certificates for electrical inspection



- ▷ The entire 230 V system must be checked every three years by a qualified electrician in accordance with VDE 0100.

3rd year

Date:

Qualified electrician's signature and stamp:

Entire 230 V system checked:

- No defects found
- Found defects:

6th year

Date:

Qualified electrician's signature and stamp:

Entire 230 V system checked:

- No defects found
- Found defects:

Please read this instruction manual completely before using the vehicle for the first time!

Always keep this instruction manual in the vehicle. Also inform all other users of the safety regulations.



- ▶ The non-observance of this symbol can lead to personal injury.



- ▷ The non-observance of this symbol can lead to damage being caused to, or inside the vehicle.



- ▷ This symbol indicates recommendations or special aspects.



- ▷ This symbol indicates actions which lead to environmental awareness.

This instruction manual contains sections which describe model-specific equipment or special equipment. These sections are not specially marked. It may be that your vehicle has not been fitted with this special equipment. In some cases, the actual equipment of your vehicle may therefore be different from that shown in some illustrations and descriptions.

However, your vehicle may be fitted with other special equipment not described in this instruction manual.

Special equipment is described when an explanation is required.

Adhere to the instruction manuals which are separately enclosed.



- ▷ The details "right", "left", "front" and "rear" always refer to the vehicle in direction of travel.
- ▷ All dimensions and weight details are "approximate".

Should the vehicle be subjected to damage due to a failure to follow the instructions in this instruction manual, then the warranty claim is deemed invalid.

Our vehicles are subjected to continuous development. Please understand that we reserve the right to alter the form, equipment and technology. Therefore, no claims can be made against the manufacturer as a result of the contents of this instruction manual. The equipment which was known and included at the time of going to press is described.

The reprinting, translation and copying, including extracts is not permitted without prior written authorisation from the manufacturer.

2.1 General

The vehicle is constructed in accordance with the latest technology and the recognised safety regulations. Nevertheless, personal injury may result and the vehicle may be damaged if the safety instructions in this instruction manual are not followed.

Depending on the configuration, the first-aid kit and hazard warning triangle are not included as standard. Equip the vehicle with a first-aid kit and hazard warning triangle before using it for the first time.

Only use the vehicle in a technically impeccable condition. Follow the instructions in the instruction manual.

Malfunctions which impair the safety of persons or the vehicle should be immediately remedied by qualified personnel. To avoid further damages, observe the duty to avert, minimise or mitigate loss for the user during faults.

Have the vehicle's braking and gas systems inspected and repaired by an authorised specialist workshop only.

Alterations to the body are only to be carried out with the authorisation of the manufacturer.

The vehicle is designed for the exclusive transport of persons. Luggage and accessories may only be transported up to the maximum permissible gross weight.

Observe the test and inspection periods stipulated by the manufacturer.

2.2 Environmental tips



- ▷ Do not impair the tranquillity and spruceness of nature.
- ▷ Remember that: All kinds of waste water and household waste are not to be disposed of in drains or in the open countryside.
- ▷ Only empty the waste water canister at disposal stations, at camping sites or caravan sites, that are especially provided for this purpose. When stopping in towns and communities, observe the instructions at caravan sites or ask where there are disposal stations.
- ▷ Collect waste water on board only in the waste water canister or, if need be, in other vessels suitable to this purpose.
- ▷ Empty waste water canister as often as possible, even when the waste water canister is not completely full (hygiene).
If possible, flush out waste water canister and, if necessary, drainage pipe with fresh water every time it is emptied.
- ▷ Separate household waste according to glass, tin cans, plastic and wet waste also when on a journey. Enquire at the town or community authority about disposal points. Household waste is not to be disposed of in waste paper baskets which are situated at car parks.
- ▷ Empty waste bins as often as possible into the cans or containers that are provided for this purpose. This helps to avoid unpleasant smells and an accumulation of rubbish on board.
- ▷ When parked, do not allow the engine to run more than necessary. When running idle, a cold engine releases more contaminants than usual. The running temperature of the engine is achieved more quickly whilst the vehicle is in motion.
- ▷ When staying in towns and communities for longer periods, search for parking areas which are especially designated for motorhomes. Enquire at the town or community authority about parking spaces.
- ▷ Always leave the parking places in a clean condition.

3.1 Fire prevention

3.1.1 Avoidance of fire risks



- ▶ Never leave children in the vehicle unattended.
- ▶ Keep flammable materials clear of heating and cooking appliances.
- ▶ Lights can get very hot. When the light is switched on, a safety distance of 30 cm to combustible material has to be maintained. Fire hazard!
- ▶ Never use portable heating or cooking appliances.
- ▶ Only authorised qualified personnel may modify the electrical system, the gas system or the appliances.
- ▶ The flames of the gas cooker must always be covered by cooking pots or pans. Never use the gas cooker without cooking pots or pans.

3.1.2 Fire-fighting



- ▶ Always carry a dry powder fire extinguisher in the vehicle. The fire extinguisher must be approved, tested and close at hand.
- ▶ Have the fire extinguisher tested at regular intervals by authorised qualified personnel. Observe the date of testing.
- ▶ The fire extinguisher is not included in the scope of delivery ¹⁾.
- ▶ Always keep a fire blanket at hand near the cooker.

¹⁾ In some countries the fire extinguisher is part of the scope of delivery.

3.1.3 In case of fire



- ▶ Evacuate all passengers.
- ▶ Cut off the electrical power supply and disconnect from the mains.
- ▶ Close regulator tap on the gas bottle.
- ▶ Sound the alarm and call the fire brigade.
- ▶ Fight the fire if this is possible without risk.



- ▷ Keep escape routes clear.
- ▷ Observe the fire extinguisher instructions for use.

3.2 General



- ▶ The oxygen in the vehicle interior is used up by breathing and the use of gas operated appliances. That is why the oxygen needs to be replaced on a constant basis. To this purpose ventilation grills have to be installed in the vehicle. When the pop-up roof is opened, the forced ventilation is ensured. Never cover or block forced ventilations from the inside or outside with objects such as e.g. a winter mat. Keep forced ventilations clear of snow and leaves. There is a danger of suffocation due to increased CO₂ levels.
- ▶ Observe the headroom of the doors.
- ▶ Electrical cables are laid in the floor. Never drill holes or screw screws into the floor. There is danger of an electric shock or short circuit due to damage to a line or cable.



- ▷ As far as the fitted appliances (heater, cooker, cooler, etc.) and the base vehicle (engine, brakes, etc.) are concerned, the instruction manuals are authoritative. It is imperative that they be observed.
- ▷ Fitting accessories or special equipment can alter the dimensions, weight and road behaviour of the vehicle. Some of the parts must be entered in the vehicle papers.
- ▷ Only use wheel rims and tyres which are approved for the vehicle. Information concerning the size of the approved wheel rims and tyres is included in the vehicle documents or can be obtained from authorised dealers and service centres.
- ▷ Firmly apply the handbrake when parking the vehicle.



- ▷ When leaving the vehicle, it is imperative that all doors, external flaps and windows are closed.
- ▷ Hazard warning triangle and first-aid kit conforming to DIN 13164 are prescribed by law and must be carried on the vehicle.
- ▷ Only move the vehicle on the road if the driver has a driver's license valid for the vehicle class.
- ▷ When selling the vehicle, hand over all instruction manuals for the vehicle and the fitted appliances.

3.3 Road safety



- ▶ Before commencing the journey, carry out a functional check of indicating and lighting equipment, the steering and the brakes.
- ▶ If the vehicle has been stationary for a long period (approx. 10 months) have the braking and gas systems checked by an authorised specialist workshop.
- ▶ Fold in the pop-up roof fully and lock it into place before commencing the journey.
- ▶ Before starting the journey, rotate the seat in the direction of travel and lock in position. The rotating seats must remain locked in the direction of travel during the journey.
- ▶ During the journey, persons are only to sit on the permitted seats (see Chapter 5). The authorised number of seats is stipulated in the vehicle documents.



- ▶ Before starting the journey fasten your seat belt and keep it fastened during the journey.
- ▶ Always secure children with the child-protection equipment that is mandatory for the respective child's size and weight.
- ▶ Deactivate the passenger airbag, if a child safety seat facing backwards is used on the front passenger's seat.
- ▶ Attach child restraint systems only at seats with factory-set three-point safety belts or to ISOFIX attachment systems.
- ▶ Observe the overall height of the vehicle (including roof loads) at underpasses, tunnels, etc.
- ▶ In winter, the roof must be free of snow and ice before commencing the journey.
- ▶ For vehicles with motorhome registration the kitchen unit must not be removed since otherwise the registration for driving becomes invalid. This means that a 7-seater cannot be registered as a motorhome.



- ▷ Before commencing the journey, distribute the vehicle payload evenly (see Chapter 4).
- ▷ When loading the vehicle and when taking a rest from driving, in order to load luggage or food, for example, observe the maximum permissible gross weight and axle loads (refer to vehicle documents).
- ▷ Before commencing the journey, ensure that the cupboard doors, all drawers and flaps are secure.
- ▷ Before commencing the journey, close the windows.
- ▷ Before commencing the journey, close all external flaps and lock them.



The 5-star NCAP test of the Citroen Spacetourer loses its validity for the Campster due to its conversion.

3.4 Towing



- ▶ Care is to be taken when connecting and detaching a trailer. Risk of accident and injury!
- ▶ No persons are to be between the towing vehicle and the trailer during positioning for connecting and detaching.

3.5 Gas system

3.5.1 General information



- ▶ Close the gas isolator tap and the regulator tap before commencing the journey and when leaving the vehicle.
- ▶ No appliance (e.g. heater) that is operated through the built-in burner may be operational while fuel is being filled up, on ferries or in the garage. Danger of explosion!
- ▶ If an appliance is operated through a burner, do not start the appliance up in closed areas (e.g. garages). Danger of poisoning and suffocation!



- ▶ Have the gas system serviced, repaired or altered by an authorised workshop only.
- ▶ Have the gas system checked by an authorised specialist workshop before starting up and according to the national regulations. This also applies for not registered vehicles. For modifications to the gas system have the gas system immediately checked by an authorised specialist workshop.
- ▶ The gas pressure regulator has to be checked. The gas pressure regulator has to be replaced at least every 10 years. The vehicle owner is responsible for seeing that this is carried out.
- ▶ In case of a defect of the gas system (gas odour, high gas consumption) there is danger of explosion! Close the regulator tap on the gas bottle immediately. Open doors and windows and ventilate well.
- ▶ In case of a defect in the gas system: Do not smoke; do not ignite any open flames, and do not operate electric switches (light switches etc.).
- ▶ Have the defect in the gas system repaired by an authorised specialist workshop.
- ▶ Open the pop-up roof or a window before taking open sources of combustion (gas cooker) into service (see also Chapter 8.7).
- ▶ Do not use the gas cooker for heating purposes.
- ▶ If the vehicle or the gas device is not used, close the regulator tap on the gas bottle.
- ▶ Ignition safety valves must close within 1 minute after the gas flame has extinguished. A clicking sound is audible. Check function from time to time.
- ▶ The fitted gas device is designed solely for operation with butane gas. The gas pressure regulator and the fitted gas device are designed for an operating pressure of 30 mbar.
- ▶ Regularly inspect the gas tube fitted to the gas bottle connection for tightness. The gas tube must not have any tears and must not be porous. Have the gas tube replaced by an authorised specialist workshop no later than 10 years after the manufacturing date. The operator of the gas system must see to it that the parts are replaced.
- ▶ Due to its function and construction, the gas bottle compartment is a space which is open to the exterior. Never cover or block the standard forced ventilation. Otherwise leaking gas cannot be dispersed to the outside.
- ▶ Do not use the gas bottle compartment as storage space as it is not moisture-proof.
- ▶ The regulator tap on the gas bottle must be accessible.
- ▶ Only connect gas-operated devices (e.g. gas grill) which have been designed for a gas pressure of 30 mbar.

3.5.2 Gas bottle



- ▶ Transport the gas bottle only within the designated gas bottle compartment.
- ▶ Place the gas bottle vertically in the gas bottle compartment.
- ▶ Tie down the gas bottle so that it is unable to turn or tilt.
- ▶ Close the regulator tap on the gas bottle before the gas pressure regulator or gas tube are removed from the gas bottle.
- ▶ Use your hands only to connect the gas pressure regulator or the gas tube to the gas bottle. Do not use any tools.
- ▶ Only use special gas pressure regulators with safety valves for use in vehicles (included in the scope of delivery status for a new vehicle).
- ▶ Use only gas bottles up to 2.8 kg, including gas bottle valves with safety device (e.g. blue camping gas bottles R907). The gas bottle valve with safety device is not part of the camping gas bottle. The Campster is optimised for the camping gas bottle. Other gas bottles of the same design have not been tested.
- ▶ Never block the ventilation openings in the floor under the gas bottles.
- ▶ Check whether the gas ventilation system is complete.

3.6 Electrical system



- ▶ Only allow qualified personnel to work on the electrical system.
- ▶ Prior to carrying out work on the electrical system, switch off all devices and lights, disconnect the battery and disconnect the vehicle from the mains.
- ▶ Only use original fuses with the stipulated values.
- ▶ Only replace defective fuses when the cause of the defect is known and has been remedied.
- ▶ Never bridge or repair fuses.

3.7 Water system



- ▶ Water left standing in the water canister or in the water pipes becomes undrinkable after a short period. For this reason, rinse the water pipes and the water canister thoroughly with several litres of fresh water before each use of the vehicle. To do this, open the water tap. After each use of the vehicle completely empty the water canister and the water pipes.



- ▷ If the vehicle is not used for several days or if it is not heated when there is a risk of frost, empty the entire water system. Leave the water tap opened. Frost damage to appliances, frost damage to the vehicle and deposits in water-carrying components can be avoided in this way.

4.1 Payload



- ▶ Excessive payload and the wrong tyre pressure can cause the tyre to burst. You can lose control of the vehicle.
- ▶ Adapt your speed to the payload. The stopping distance is longer when the payload is higher.



- ▷ The maximum permissible gross weight stated in the vehicle documents is not to be exceeded by the payload.
- ▷ Built-in accessories and special equipment reduce the payload.
- ▷ Adhere to the axle load stated in the vehicle documents.

On loading, make sure that the payload's centre of gravity is as low as possible (directly above the floor of the vehicle). Otherwise this may affect the driving characteristics of the vehicle.

4.1.1 Terms



- ▷ In technical and scientific texts the term "mass" has replaced the term "weight". However the term "weight" is still the more common term in general usage. To contribute toward understanding the term "mass" is therefore only used in established phrases in the following passages.

Maximum permissible gross weight in a laden condition

The maximum permissible gross weight in a laden condition is the weight that a vehicle may never exceed.

The maximum permissible overall weight in laden condition consists of the **mass in ready-to-drive condition** and of the **payload**.

The manufacturer has specified the maximum permissible gross weight in a laden condition in Field F.1 of the vehicle documents.

Mass in ready-to-drive condition

The manufacturer specifies the mass in ready-to-drive conditions in Field G of the vehicle documents.

Payload

The payload is made up as follows:

- Conventional load
- Additional equipment
- Personal equipment

Explanations of the individual components of the payload are contained in the following text.

Conventional load

The conventional load is the weight specified by the manufacturer for the passengers.

Conventional load means: 75 kg are calculated for every seat specified by the manufacturer, regardless of how much the passengers actually weigh. The driver's seat is already included as part of the mass in ready-to-drive condition and must **not** be calculated as part of the conventional load.

The manufacturer specifies the number of seats in Field S.1 of the vehicle documents.

Additional equipment Additional equipment includes accessories and special equipment. Examples of additional equipment include:

- Tow coupling
- Roof racks
- Awning
- Bike or motorcycle rack

Information about the weights of the various special equipment devices can be obtained from the manufacturer.

Personal equipment Personal equipment includes all items in the vehicle that are not included in the conventional load and the additional equipment. For example, personal equipment can include the following:

- Foodstuffs
- Crockery
- Television
- Radio
- Clothes
- Bedding
- Toys
- Books
- Toiletries

No matter where kept, personal equipment also includes:

- Animals
- Bikes
- Boats
- Surfboards
- Sports equipment

4.1.2 Calculating the payload



- ▶ Payload calculation at the manufacturer is partly based on all-inclusive weights. For safety reasons, the maximum permissible gross weight in a laden condition must not be exceeded.
- ▶ Only the maximum permissible gross weight and the mass in a ready-to-drive condition, not the actual weight of the vehicle, is stated in the vehicle documents. For your own safety, we recommend that you have your loaded vehicle (with passengers) weighed on a public weighbridge before you set out on your journey.

The payload (see Section 4.1.1) is the difference in weight between

- Maximum permissible gross weight in a laden condition and
- Vehicle mass complete in a ready-to-drive condition.

Example for calculating the payload

	Mass in kg to be calculated	Calculation
Maximum permissible gross weight according to vehicle documents, Field F.1	3100	
Vehicle mass in a ready-to-drive condition, including basic equipment according to vehicle documents, Field G	- 2520	
This results in a permissible payload of	580	
Conventional load, e.g. 3 persons at 75 kg each	- 225	
Additional equipment	- 40	
For the personal equipment this results in	= 315	

The calculation of the payload from the difference between the maximum permissible gross weight in laden condition and the mass specified by the manufacturer in ready-to-drive condition is however only a theoretical value. Only if the vehicle is weighed with full tanks (fuel and water), full gas bottle and complete additional equipment on a public weighbridge, can the actual payload be determined.

4.1.3 Loading the vehicle correctly



- ▶ To ensure safety never exceed the maximum permissible gross weight in a laden condition.
- ▶ Distribute the load evenly between the left-hand and right-hand sides of the vehicle.
- ▶ Distribute the load evenly between both axles. Observe the axle loads specified in the vehicle documents. Additionally observe the permissible load-carrying capacity of the tyres.
- ▶ Securely store all the objects so that they cannot slide or slip.
- ▶ Store heavy objects (awning, canned food, etc.) close to the axles. Low-lying storage compartments whose doors do not open in the direction of travel are particularly suited for storing heavy objects.
- ▶ Store lighter objects (laundry) in the roof storage compartments.

4.1.4 Roof load



- ▷ A roof rack is commercially available as an accessory. Assembly details and the available roof load with respect to the pop-up roof can be found in the instruction manual for the roof rack. We recommend professional installation in a suitable workshop. (Dethleffs GmbH & Co. KG) accepts no liability for any damage if the approved roof load is exceeded.

4.2 Television



- ▶ Before starting your journey, remove the television from the support and store it securely.


4.3 Road safety



- ▶ Check the tyre pressure before a journey and at 2-week intervals. Wrong tyre pressure causes excessive wear and can lead to damage or even to tyre burst. You can lose control of the vehicle.

Before commencing the journey, work through the checklist:

	No.	Checks	Checked
Base vehicle	1	All vehicle documents are on board	
	2	Tyres in proper condition	
	3	Vehicle lighting, brake and reversing lights function	
	4	Oil level at engine, gear unit and power steering checked	
	5	Coolant and liquid for windshield washer system topped up	
	6	Breaks function	
	7	Brakes react evenly	
	8	When braking, the vehicle remains on track	
Housing body, outside	9	Awning completely retracted	
	10	Roof free of snow and ice (in winter)	
	11	External connections and lines disconnected and stored away	
	12	Pop-up roof folded in, closed, locked and secured	
	13	External flaps and doors closed and locked	
	14	Overall height of the vehicle including roof rack when loaded measured and noted. Keep the height information close at hand in the driver's cabin	
Housing body, inside	15	Table stored	
	16	Loose parts stored away or fixed in position	
	17	Open storage spaces empty	
	18	All drawers and flaps closed	
	19	Children's seats mounted to seats with three-point safety belts or ISOFIX	
	20	Swivel seat locking device for driver's seat and front passenger's seat locked	
	21	Bench seat brought into driving position (the lever has to point to the green marking)	
	22	Shades in the driver's cabin removed	
	23	Ventilation grilles stowed	

	No.	Checks	Checked
Gas system	24	Gas bottle firmly fixed in the gas bottle compartment so that they are unable to turn	
	25	Regulator tap on the gas bottle and gas isolator tap closed	
Electrical system	26	<p>Check the battery voltage of the starter battery and the living area battery (see Chapter 9). If the panel indicates that the battery voltage is too low, the respective battery has to be recharged. Observe the instructions in Chapter 9</p> <p> ▷ Commence the journey with a fully charged starter battery and living area battery.</p>	

5.1 Driving the Campster



- ▶ Always wear a seat belt during the journey at those seats where a seat belt is mounted.
- ▶ Never open the seat belt during the journey.
- ▶ Passengers must remain in the seats provided.
- ▶ The door lock may not be opened.



- ▷ Drive slowly on bad roads.



- ▷ If an accident occurs as a result of these instructions not being observed, the manufacturer will not be responsible for damages caused.
- ▷ The safety measures specified in Chapter 3 have to be observed.

5.2 Driving speed



- ▶ The vehicle is equipped with a powerful engine. Meaning that you have sufficient power reserves in difficult traffic situations. This high power allows a high end speed and requires above-average driving skills.
- ▶ The vehicle provides a huge surface exposed to wind. Particular danger arises when a side wind suddenly occurs.
- ▶ Uneven or one-sided loading changes the road behavior.
- ▶ On unknown roads the road surface conditions may be difficult and unexpected traffic situations may arise. Therefore adapt your driving speed to the respective traffic situation and the ambient situation for your safety.
- ▶ Observe the statutory speed limits that apply in the respective country.

5.3 Seat belts

The vehicle is equipped with automatic three-point safety belts at those seats in the living area for which a seat belt is stipulated by law. ISOFIX attachment systems are mounted on the seats of the back seat. The corresponding national regulations apply for using a seat belt.



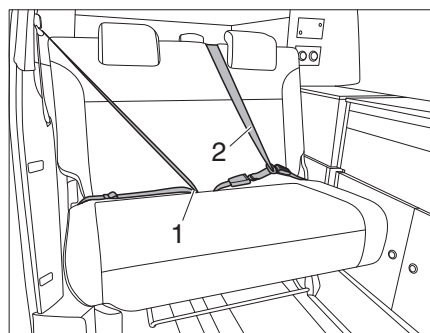
- ▶ Before starting the journey fasten your seat belt and keep it fastened during the journey.
- ▶ Do not damage or clamp in the belts. Have damaged seat belts replaced by an authorised specialist workshop.
- ▶ Do not change the belt attachment points, the automatic retractor and the belt locks.
- ▶ Bench seat brought into driving position (see Chapter 7.6.2).
- ▶ Check the screwed connections of the seat belts at intervals in order to ensure that they are firmly seated.
- ▶ Use each seat belt for **one** adult person only.



- ▶ Do not belt up objects together with persons.
- ▶ Seat belts are not sufficient for persons who are less than 150 cm tall. In this case use additional retention devices. Observe the test certificates.
- ▶ Factory-set three-point safety belts must be used when attaching child restraint systems.
- ▶ Replace (have replaced) the seat belts that were in use during an accident.
- ▶ Do not tilt the backrest of the seat too far back during the journey. Otherwise the effectiveness of the seat belt is no longer ensured.



The seat belt at the bed couch of the Campster is coded (2 belt tongues and 2 belt locks), see Fig. 1. This ensures that the belt tongues and belt locks cannot be mixed up.



- 1 Belt lock for belt at vehicle end
- 2 Belt with 2 belt tongues

Fig. 1 Coded seat belt

5.3.1 Using the seat belt correctly



- ▶ Do not twist the belt. The belt must be positioned smoothly against the body.
- ▶ Before applying the seat belt, adopt the correct sitting position.

5.4 Driver's seat and front passenger's seat



- ▶ Before starting the journey, rotate the seat in the direction of travel and lock in position.
- ▶ Lock the seats in the direction of travel and do not turn them during the journey.



- ▶ The driver's and front passenger's seat are a part of the base vehicle, depending on model and vehicle equipment. In this case the adjustment of the seats is described in the operating instructions of the base vehicle.

5.5 Seating arrangement



- ▶ During the journey, persons are only to sit on the permitted seats. The authorised number of seats is stipulated in the vehicle documents.
- ▶ Wearing of seat belts is compulsory at all seats.
- ▶ Never mount the original double-seat bench on the right in the direction of travel, and never mount the bed couch on the left. Otherwise the seat belts cannot be used at all the seats.

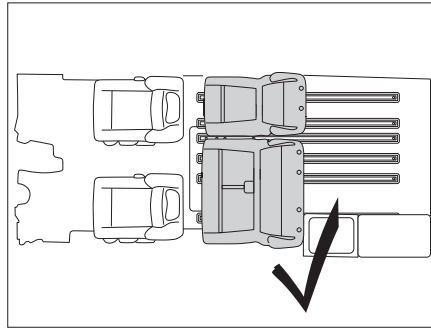


Fig. 2 Double-seat bench positioned correctly ¹⁾

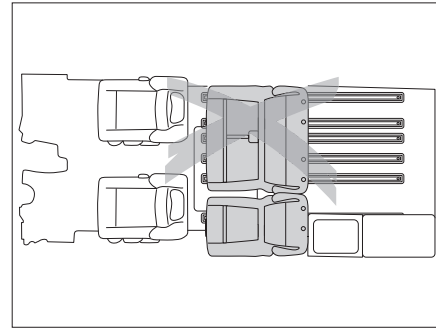


Fig. 3 Double-seat bench positioned incorrectly

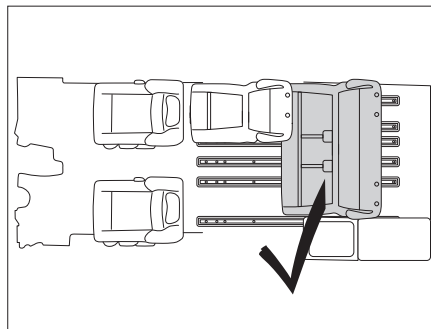


Fig. 4 Bed couch positioned correctly

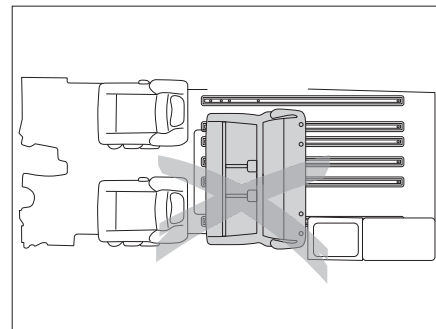


Fig. 5 Bed couch positioned incorrectly

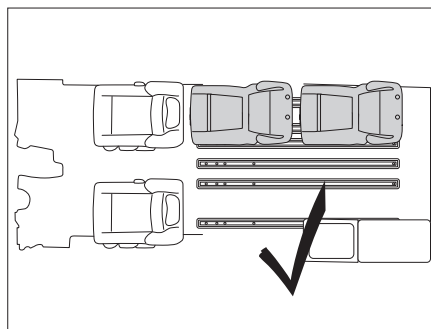


Fig. 6 Individual seats positioned correctly

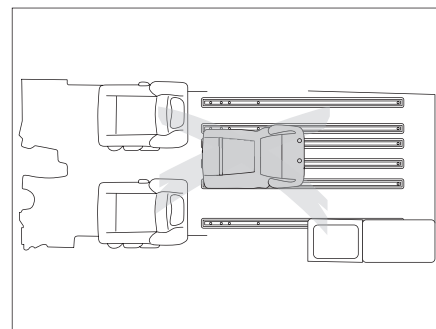


Fig. 7 Individual seats positioned incorrectly

¹⁾ Only for registration as Campster with passenger car registration (multi-purpose vehicle AF).

5.6 Operation of heater and cooker



- ▶ No appliance (e.g. heater or cooker) that is operated through the built-in burner may be operational while fuel is being filled up, on ferries or in the garage. Danger of explosion!

Refer to the instruction manual for the base vehicle for the position of the fuel filler neck.

6.1 Handbrake



- ▶ When the handbrake is released, the vehicle can move, for example when it is positioned on vehicle wedges.

Firmly apply the handbrake when parking the vehicle.



- ▷ An applied handbrake can prevent the driver's seat from turning. If necessary release the handbrake briefly.

6.2 230 V connection

The vehicle can be connected to a 230 V power supply (see Chapter 9).

6.3 Coolers (special equipment)



- ▷ The coolers only function in 12 V operation via the living area battery.
- ▷ Observe the 12 V connection of the front cooler (see Chapter 10.5).

7.1 Flap for 230 V connection, square

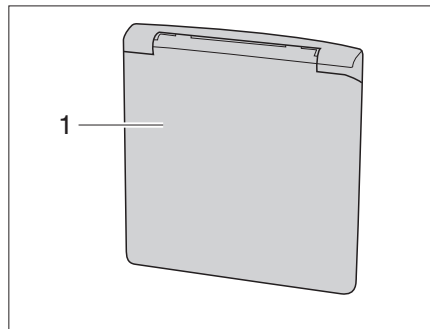


Fig. 8 Flap for 230 V connection

- Opening:** ■ Grip the external flap (Fig. 8,1) at the bottom and lift it upwards.
- Closing:** ■ Lower the external flap downward and press it shut.

7.2 Ventilation



The oxygen in the vehicle interior is used up by breathing and the use of gas operated appliances. That is why the oxygen needs to be replaced on a constant basis. Ventilation grills can be inserted into the side window to this purpose. When the pop-up roof is opened, the forced ventilation is ensured.

- ▶ Never cover or block forced ventilations from the inside or outside with objects such as e.g. a winter mat.
- ▶ Keep forced ventilations clear of snow and leaves. There is a danger of suffocation due to increased CO₂ levels.



- ▷ Although sufficient ventilation is provided, in certain weather conditions, condensation can form on metal objects (e.g. screwed connections in the floor).



- ▷ The ventilation grill (Fig. 9,1) is stored in the bag at the bench seat bed.

Installing the ventilation grill

The ventilation grills have the purpose of ensuring continuous oxygen exchange in the vehicle inside when the Campster is parked.

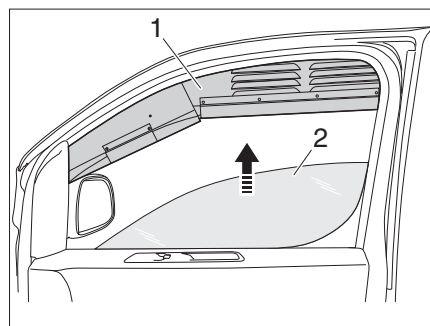


Fig. 9 Inserting ventilation grills

- Wind down the side window (Fig. 9,2).
- Insert the ventilation grill (Fig. 9,1) in the top of the window frame.
- Wind up the side window cautiously in small steps until it fits into the slots of the ventilation grill.
Do not use the automatic function of the power-operated window.



- ▷ If the side window moves with too much force into the ventilation grill, the anti-pinch function may cause the side window to move down again.

Condensation

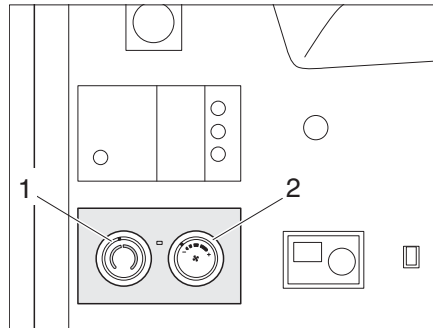
Ensure that there is a continuous exchange of air by providing frequent and efficient ventilation. This is the only method for ensuring that condensation is not formed during cool weather. During the colder season, a pleasant living climate is created if heating output, air distribution and ventilation are synchronised. To avoid draft close the air outlet nozzles on the dashboard and set the air distribution of the base vehicle to air circulation. If the vehicle is laid up for a longer period, occasionally ventilate it well, especially in summer as heat accumulation can occur.

7.3 Heating and cooling

The Campster is equipped as standard with an air-conditioning system. The room temperature can be set at the operating panel.



- ▷ Further information on using the air-conditioning system can be obtained in the separate instruction manual of the vehicle manufacturer.
- ▷ The air-conditioning unit only functions while the engine is running.



- 1 Control knob room temperature
- 2 Control knob ventilation

Fig. 10 Setting the room temperature

7.4 Sliding door



- ▶ Ensure when closing the sliding door that no fingers or other body parts are clamped in.
No-one may be within the closing area of the sliding door when it is being closed.
- ▶ Ensure that children do not use the sliding door without supervision.
- ▶ Deactivate the child-safety lock while staying in the Campster (emergency exit).
- ▶ Observe the instruction manual of the vehicle manufacturer for the electrical sliding door (special equipment).

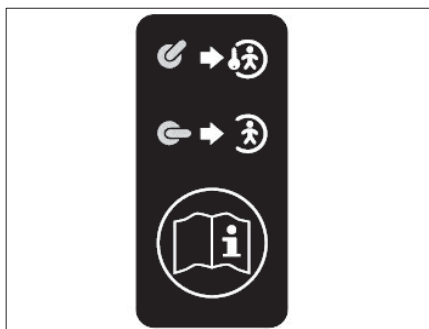
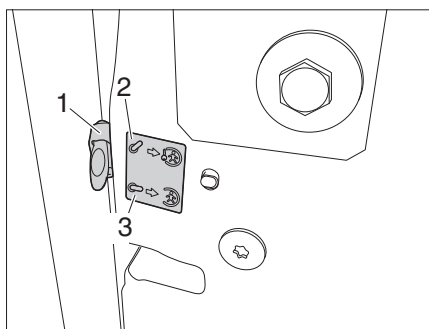


Fig. 11 Child-safety lock

Activating/deactivating the child-safety lock

The lever of the child-safety lock (Fig. 12,1) is located at the closing edge of the sliding door.



- 1 Lever for the child-safety lock
- 2 Child-safety lock activated (while travelling)
- 3 Child-safety lock deactivated (while staying in)

Fig. 12 Activating/deactivating the child-safety lock

7.5 Rotating the seats

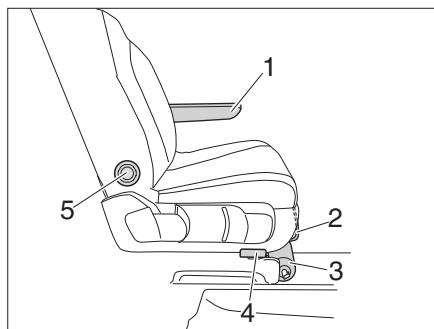


- ▶ Before starting the journey, rotate the seat in the direction of travel and lock in position. The rotating seats must remain locked in the direction of travel during the journey.
- ▶ When the handbrake is released, the vehicle can move, for example when it is positioned on vehicle wedges.



- ▶ Release the handbrake before turning the seat. Otherwise, the seats cannot be turned.

The locking lever (Fig. 13,4) for turning the seat is located on the right at the seat.



- 1 Armrest
- 2 Bar for lengthways adjustment
- 3 Fire extinguisher (only included in the scope of delivery in some countries).
- 4 Unlocking device for rotation mechanism
- 5 Adjusting knob for backrest adjustment

Fig. 13 Driver's seat and front passenger's seat

Rotating the seats

The direction of rotation is towards the middle of the vehicle. The seats can only be locked in position in the direction of travel.

- Set the armrest (Fig. 13,1) in the upright position.
- Pull the bar ((Fig. 13,2) and push the driver's seat/front passenger's seat backwards or into the central position.
- Press the locking lever (Fig. 13,4) and turn the seat.

Adjusting an appropriate seating position

The position of the seats can be adjusted. The handles which are required for this purpose are positioned at the front of the seat.

- Pull the bar (Fig. 13,2). The seat can be moved forward or backward.
- Turn the adjusting knob (Fig. 13,5) for the backrest adjustment. The angle of the backrest can be adjusted.

7.6 Bench seat



The release lever is only intended for releasing the bench seat. Please observe the following points:

- ▷ Do not stand on the bar (Fig. 15,3).
- ▷ Do not carry the bench seat bed by the bar (Fig. 15,3).
- ▷ Move the bench seat bed only while sitting. Do not pull or pull slide the bench into position from the side at the bar (Fig. 15,3).



Fig. 14 Move the bench seat correctly

7.6.1 Converting the bench seat to the sleeping position

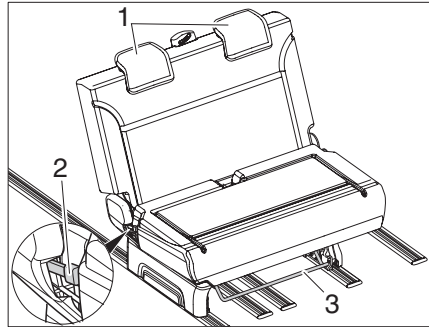


Fig. 15 Bench seat

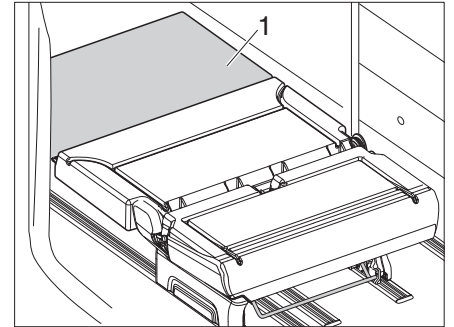


Fig. 16 Bench seat in sleeping position

The bench seat can be converted for sleeping if required.

- Dismantle the suspension table (see Section 7.7.1).
- Pull the bar (Fig. 15,3) and push the bench seat forward.
- Remove the headrests (Fig. 15,1).
- Pull the lever (Fig. 15,2) and fold the bench seat backrest to the back.
- Press the lever (Fig. 15,2) for secure latching of the backrest downwards again.
- Move the bench seat completely too the back until it is flush with the bed extension (Fig. 16,1).

7.6.2 Converting the bench seat to the travelling position



The bench seat has to be positioned in the seat-belt position so that passengers can fasten their seat belts. The seat-belt position is identified at the entry by the marking (Fig. 19,2) and by the pointer (Fig. 18,1) that is located under the bench seat.

- ▶ Check visually whether the pointer (Fig. 18,1) is in the red or green area.



Fig. 17 Move the bench seat correctly

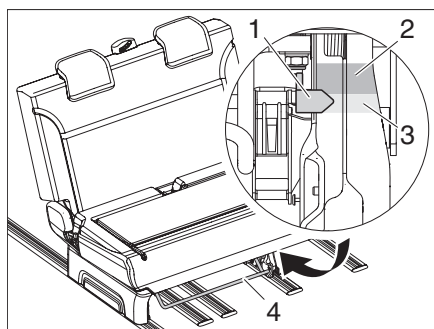


Fig. 18 Bench seat seat-belt position - marking under the bench seat

- 1 Pointer
- 2 Red area - bench seat **not** in the seat-belt position
- 3 Green area - bench seat in the seat-belt position
- 4 Bar

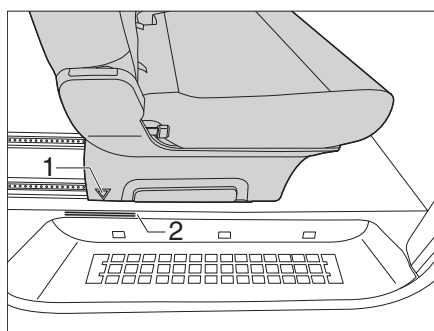


Fig. 19 Bench seat seat-belt position - marking at the entry

- 1 Arrow at the bench seat
- 2 Marking at the entry

- Fold the beach seat backrest upright.
- Mount the headrests.
- Pull the bar (Fig. 18,4) and move the bench seat until the arrow (Fig. 19,1) at the bench seat is located in the area of the marking (Fig. 19,2). The pointer (Fig. 18,1) can now be moved into the green area (Fig. 18,3).

The bench seat is now positioned in the seat-belt position.



- ▶ Check whether the bench seat is positioned in the seat-belt position.
- ▶ Do not start driving until all persons on the bench seat have fastened their seat belts.

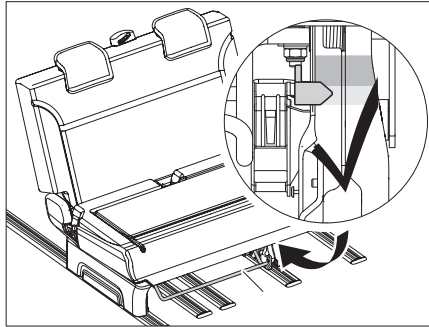


Fig. 20 Bench seat in seat-belt position - marking under the bench seat

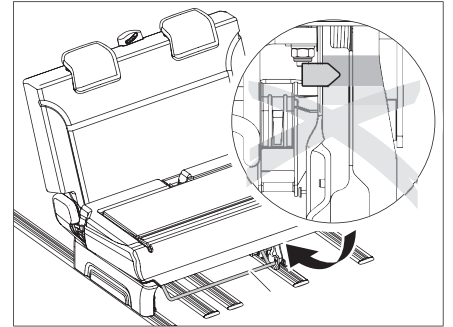


Fig. 21 Bench seat **not** in seat-belt position

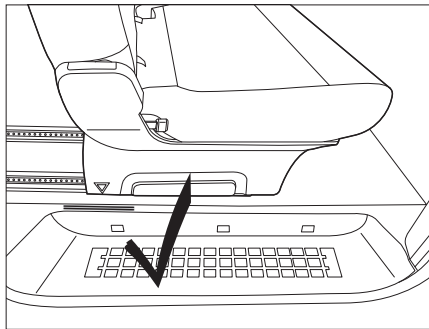


Fig. 22 Bench seat in seat-belt position - marking at the entry

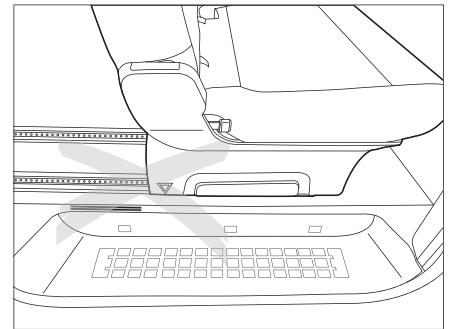


Fig. 23 Bench seat **not** in seat-belt position

7.6.3 Positioning the seats variably

The rail system on the floor of the Campster allows seats to be positioned variably. After the bed extension has been removed, the Campster can be converted.

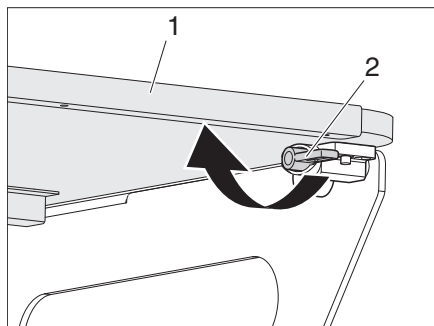


Fig. 24 Latch of the bed extension

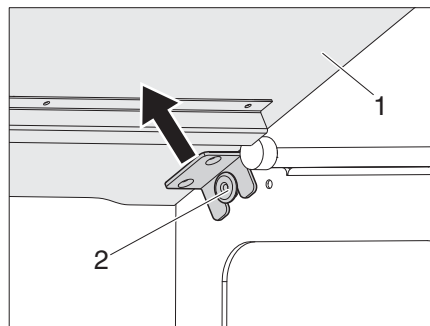


Fig. 25 Stud

Removing the bed extension

- Turn the latch (Fig. 24,2) on the left and right at the bed extension (Fig. 24,1) by 180°.
- Press the bed extension (Fig. 25,1) on the left and right out of the studs (Fig. 25,2).
- Lift off the bed extension.

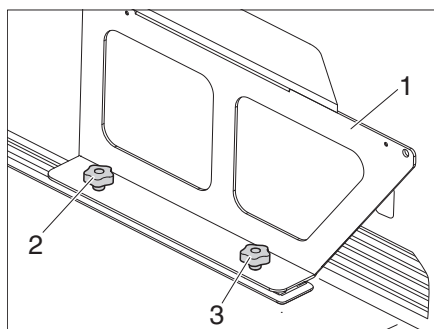


Fig. 26 Support of the bed extension

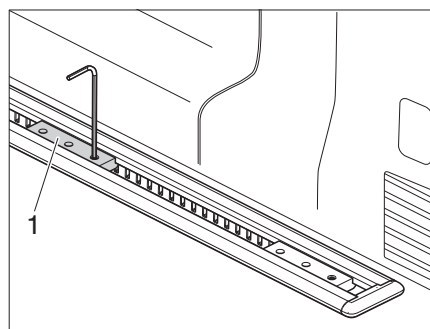


Fig. 27 Removing the slot nut

Removing the support of the bed extension

- Screw off the two star screws (Fig. 26,2) and remove the support (Fig. 26,1) of the bed extension.
- Screw off the hexagon socket screw of the **front** slot nut (Fig. 27,1) and remove the slot nut from the rail. The rear slot nut does not have to be removed.

Installing the support of the bed extension

- Place on the support (Fig. 26,1) of the bed extension.
- First screw in the rear star screw (Fig. 26,3).
- Screw in the front star screw (Fig. 26,2).

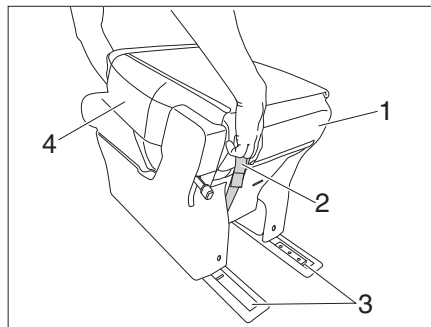


Fig. 28 Install the seat

Install the seat

- Lift the seat (Fig. 28,1) at the red strap (Fig. 28,2) and place it into the rails (Fig. 28,3).
- Check whether the seat (Fig. 28,1) has latched in correctly.
- ▷ The backrest (Fig. 28,4) of the seat cannot be set upright until the seat has latched correctly into the rails.



Removing the bench seat bed

- Pull the red strap (Fig. 28,2) and at the same time lift the seat at the backrest (Fig. 28,4).
- Lift the seat out of the rail and put it down briefly.
- Lift the bench seat at the seat cushion and backrest (Fig. 28,4) and carry it out of the vehicle.
- ▷ Do not carry the seat at the red strap or at the release lever.



7.6.4 Possible seating arrangements

The following seating arrangements are possible in the Campster.

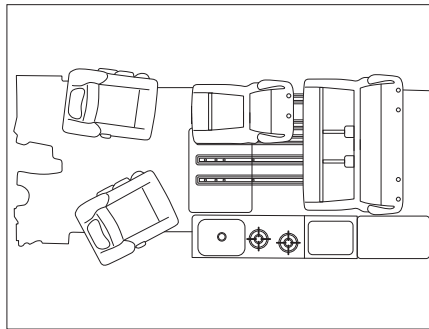


Fig. 29 5 seats with kitchen

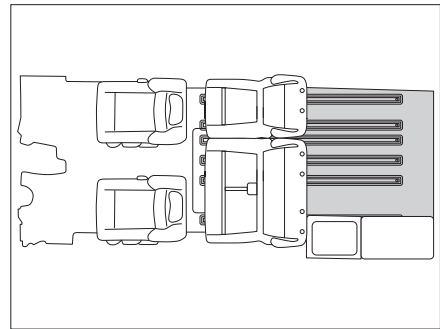


Fig. 30 5 seats and stowage space without kitchen ¹⁾

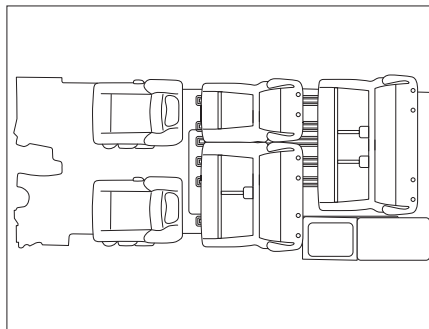


Fig. 31 7 seats without kitchen ¹⁾

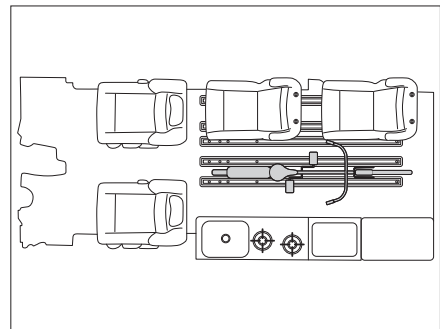


Fig. 32 3-4 seats, bicycle and kitchen

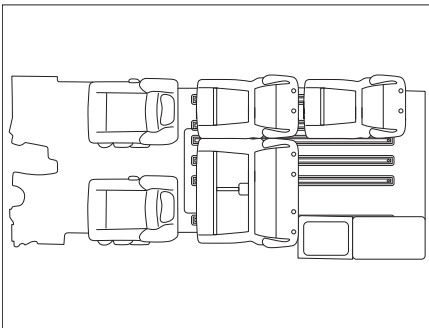


Fig. 33 6 seats without kitchen ¹⁾

¹⁾ Only for registration as Campster with passenger car registration (multi-purpose vehicle AF).

7.7 Table

7.7.1 Suspension table with fold-out leg

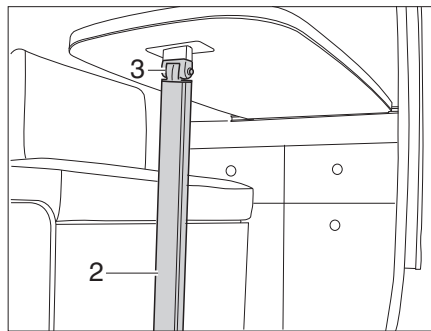


Fig. 34 Suspension table with fold-out leg

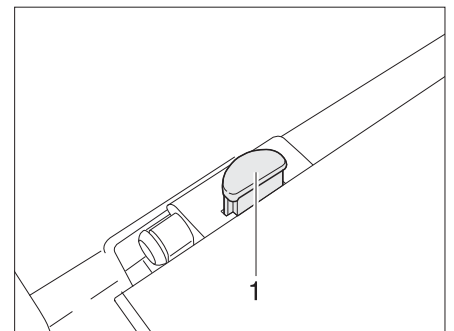


Fig. 35 Table top locking mechanism

Dismantling the suspension table:

- Slightly lift the front of the table-top.
- Unlock the table leg (Fig. 34,2) at the hinge and fold it in.
- Press the release knob (Fig. 35,1) at the locking mechanism of the table-top.
- Detach the suspension table from the upper attachment rail.

Installing the suspension table:

- Attach the suspension table to the attachment rail.
- Fold out the table leg (Fig. 34,2) and place it on the floor of the Campster.
- Ensure that the table leg does not stand in the rail.

7.7.2 Suspension table with telescopic leg (optional)

The suspension table with telescopic leg forms part of the outdoor package and can compensate ground unevenness by adapting the support leg. The suspension table (Fig. 36,3) is located under the bed extension (Fig. 36,1).

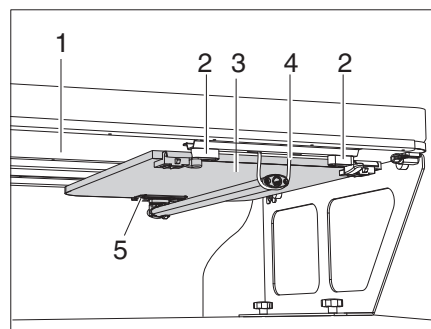


Fig. 36 Suspension table under the bed extension

Removing the suspension table:

- Turn the two clamping brackets (Fig. 36,2) by 90°.
- Hang out the rubber mount (Fig. 36,4) at the telescopic leg.
- Remove the suspension table.

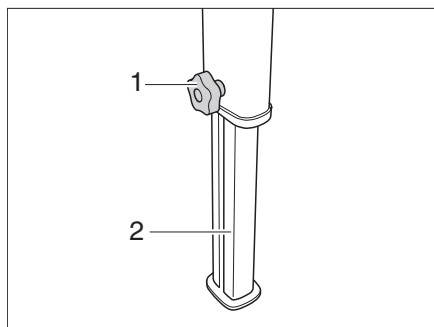


Fig. 37 Suspension table with telescopic leg (optional)

Adjusting the telescopic leg:

- Attach the suspension table to the upper suspension rail (see Chapter 7.7.1).
- Turn open the star grip (Fig. 37,1).
- Adjust the telescopic leg (Fig. 37,2) so that the table-top is level.
- Tighten the star grip (Fig. 37,1).

Storing the suspension table:

- Dismantle the suspension table (see Chapter 7.7.1).
- Slide the suspension table under the bed extension until it stops (Fig. 36,5).
- Turn the two clamping brackets (Fig. 36,2) by 90°.
- Hang in the rubber mount (Fig. 36,4) at the telescopic leg.

7.8 LED lighting strips under the bed



► Lamps and light fittings can develop heat.

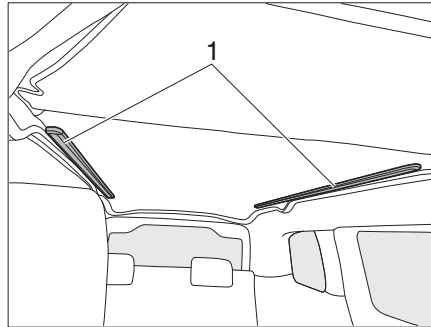


Fig. 38 LED lighting strips under the bed

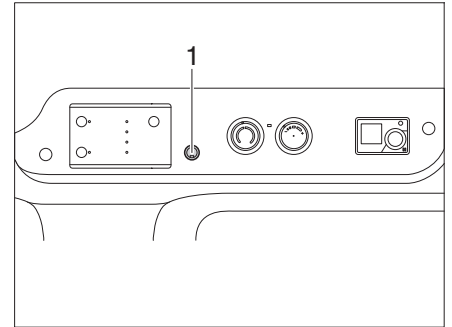


Fig. 39 Button on the operating console

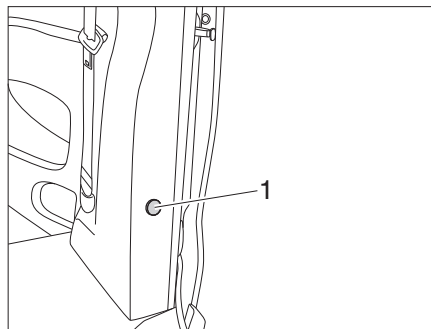


Fig. 40 Button at the entrance

Under the bed there are LED lighting strips (Fig. 38,1) on the left and right.

Switching the LED light strips on/off:

- Press the button at the entrance (Fig. 40,1) or the button (Fig. 39,1) downwards.
LED lighting strips active under the bed.

Full brightness:

- Press the button (Fig. 39,1 or Fig. 40,1) 1× briefly.
The LED lighting strips light up at full brightness.

Low brightness:

- Press the button (Fig. 39,1 or Fig. 40,1) for approximately 3 seconds until the lowest brightness is reached.

Dimming the LED lighting strips brightness:

- Keep the button (Fig. 39,1 or Fig. 40,1) pressed until the desired brightness is reached.

7.9 Pop-up roof



► Fold in the pop-up roof before commencing the journey.



The structure of the tent fabric of the pop-up roof has very tiny holes. This is completely normal – the holes close as soon as the tent becomes moist and the fibres swell.

Water column for the cloth bellows according to the manufacturer: 100 mm × 24 h

▷ Observe the instructions for usage and care of the manufacturer SCA.

7.9.1 Opening the pop-up roof

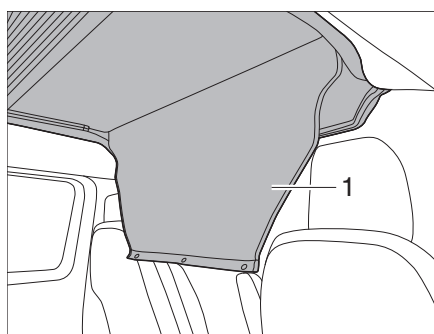


Fig. 41 Rolling up the access cover

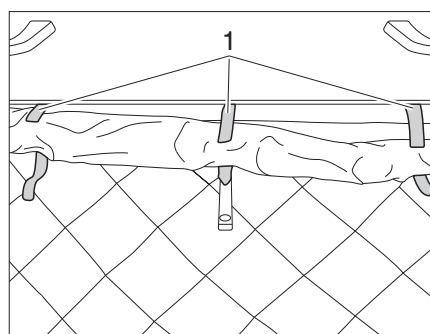


Fig. 42 Opening the Velcro

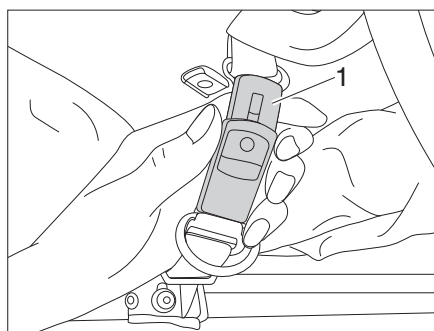


Fig. 43 Open the securing belt

- Open the entrance cover (Fig. 41,1) and roll it up.
- Open the three Velcros (Fig. 42,1) of the cloth bellows.
- Open the securing belts (Fig. 43,1).

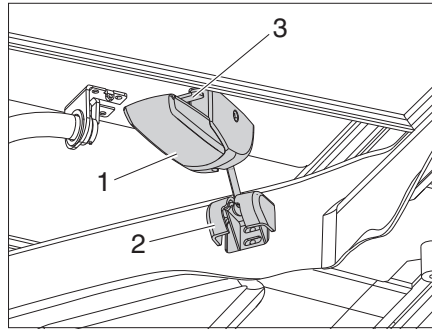


Fig. 44 Releasing the locking mechanisms

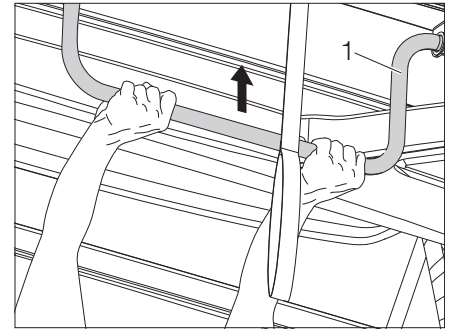


Fig. 45 Pushing up the pop-up roof

- Push up the locking lever (Fig. 44,3) and at the same time pull down the lock (Fig. 44,1) on the left and right.
- Remove the pin (Fig. 44,2) from the holder.
- Push up the pop-up roof by the bar (Fig. 45,1).
- Fold the sleeping area upwards to obtain headroom.



- ▶ When raising the pop-up roof with the bar, make sure that your hands do not get trapped between the bracket and the bed unit.

7.9.2 Using the sleeping area



- ▶ The maximum load for the sleeping area in the pop-up roof amounts to 200 kg.
- ▶ Only use the sleeping area in the pop-up roof if the falling-out protection is in position.
- ▶ When climbing onto the sleeping area do not step onto the armrest of the driver's and front passenger's seats.
- ▶ Ensure in particular with regard to small children less than 6 years of age, that they cannot fall from the sleeping area.

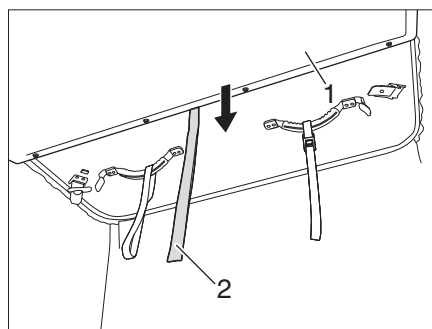


Fig. 46 Pulling the sleeping area downwards

Preparing the sleeping area:

- Pull the sleeping area (Fig. 46,1) downwards with the belt (Fig. 46,2).

7.9.3 Mounting the falling-out protection



- ▷ Do not mount the falling-out protection until the persons are already in the pop-up roof.

The falling-out protection at the pop-up roof can be mounted to prevent children from falling out of the sleeping area.

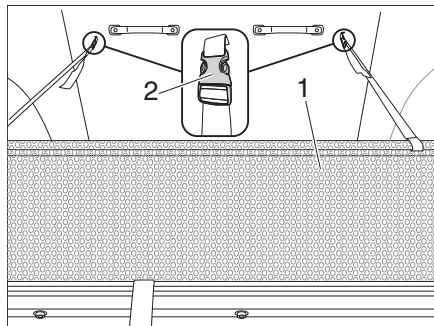


Fig. 47 Falling-out protection

Attaching the falling-out protection:

- Pull the falling-out protection (Fig. 47,1) out from under the mattress.
- Fasten the falling-out protection with the strap buckle (Fig. 47,2) to the pop-up roof.

Removing and storing the falling-out protection:

- Loosen the strap buckle (Fig. 47,2).
- Store the falling-out protection (Fig. 47,1) under the mattress.

7.9.4 Panorama function in the pop-up roof



Possible damage to the tent fabric and zip.

- ▷ When closing the zip pull the pop-up roof downwards so that the zip is not subject to tension (Fig. 49).

The elevated pop-up roof can be opened with a zip.

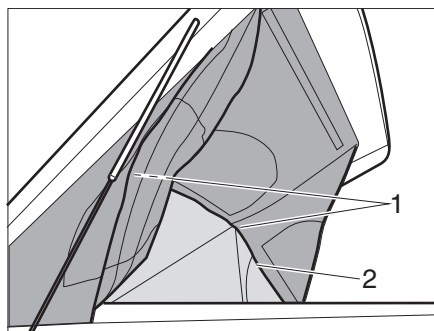


Fig. 48 Panorama function

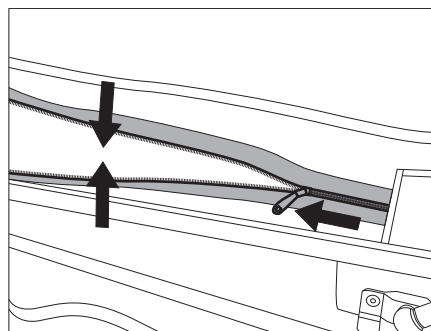


Fig. 49 Relieving the zip

Opening the pop-up roof (panorama function):

- Open the pop-up roof (see Chapter 7.9.1).
- Open the zip (Fig. 48,2) all around at the pop-up roof.
- Fasten the side sections and front section with the Velcro fasteners (Fig. 48,1) to the top of the pop-up roof.

Closing the pop-up roof:

- Loosen the Velcro fasteners of the side sections and front sections from the pop-up roof.
- Pull the pop-up roof downwards and close the zip.
- Close the pop-up roof (see Chapter 7.9.5).

7.9.5 Closing the pop-up roof



- ▷ Before closing the pop-up roof open at least one door of the vehicle. Material damage may otherwise occur through excess pressure.
- ▷ Before closing the pop-up roof pull the sleeping area (Fig. 46,1) down. **Do not** pull the sleeping area and the pop-up roof down at the same time.
- ▷ When closing the pop-up roof ensure that the cloth bellows are not clamped in.
- ▷ Before starting your journey, check whether the locking hooks of the locks (Fig. 52,1) on the left and right are correctly tensioned. If necessary, adjust the lock according to the instructions from the manufacturer SCA.
- ▷ There must be no objects or bedding between the roof shell and the bed unit - risk of damage!
- ▷ The pop-up roof may only be closed with the original mattress.
- ▷ Make sure that the mattress does not protrude to the rear beyond the bed.

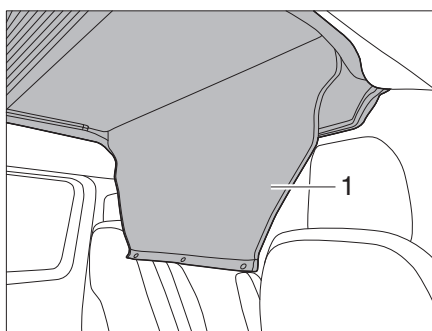


Fig. 50 Unrolling the entrance cover

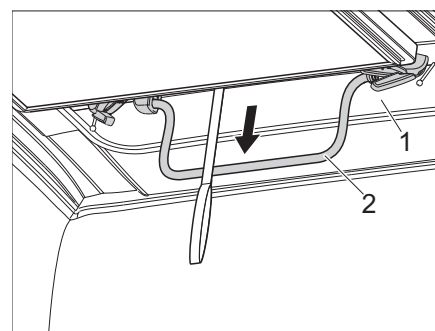


Fig. 51 Pulling the pop-up roof downwards

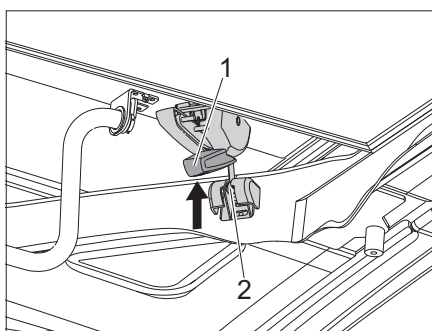


Fig. 52 Tensioning the locking mechanism

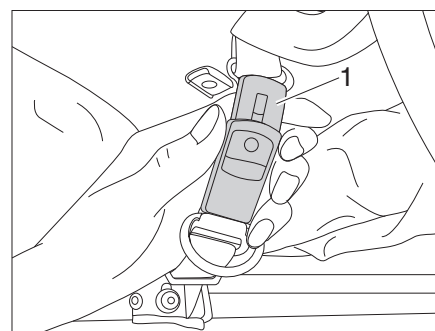


Fig. 53 Closing the securing belt

- Open a door at the vehicle.
- Unroll the entrance cover (Fig. 50,1).
- Pull the sleeping area (Fig. 46,1) downwards with the belt (Fig. 46,2).
- Looking towards the back, pull the pop-up roof (Fig. 51,1) by the bar (Fig. 51,2) **slowly** downwards and observe whether the cloth bellows drops cleanly inwards.
- Push the pin (Fig. 52,2) into the holder.
- Push up the locks (Fig. 52,1) on the left and right.

- Check that there is no play in the pin (Fig. 52,2).
- Close the securing belts (Fig. 53,1).
- Roll up the cloth bellows in area of the locking mechanism with care and fasten with the three Velcros (Fig. 42,1).
- Close the entrance cover (Fig. 50,1) with snap fasteners.

7.10 Kitchen unit

7.10.1 Removing and installing the kitchen unit



- ▷ The kitchen unit is only available as special equipment in case of registration as multi-purpose vehicle.

The kitchen unit can be removed if required. The gas cooker and the water tap can continue to be used in the remove state if the electric power supply is established again (outdoor package).



- ▷ The weight of the kitchen unit can be reduced before removing it by first taking out the both canisters and the gas bottle.

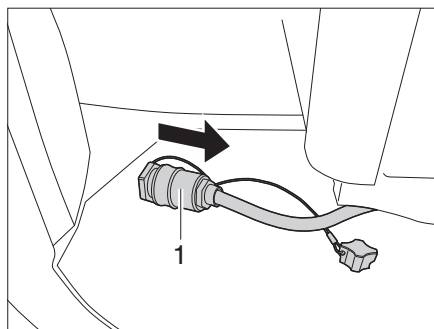


Fig. 54 Disconnecting the electrical connection

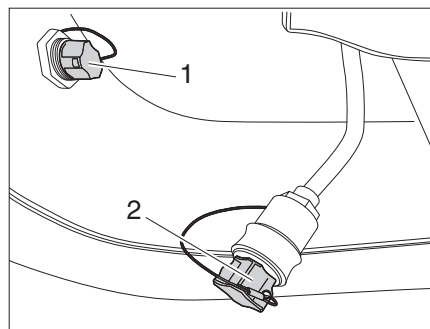


Fig. 55 Screwing on the protective caps

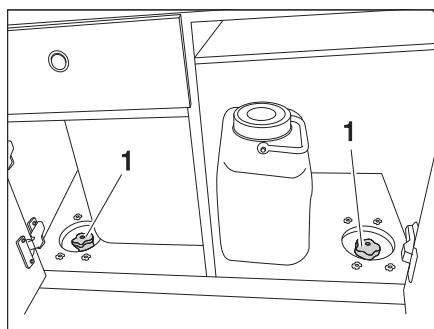


Fig. 56 Loosening the star screws

Removing the kitchen block

- Disconnect the electric power connection (Fig. 54,1).
- Screw protective caps onto the plug and socket of the electrical connection (Fig. 55,1 and 2).
- If necessary, remove water canisters from the kitchen unit.
- Open the cupboard door (Fig. 56,2) and the flap (Fig. 56,3).
- Reach through the 2 openings and loosen the star screws (Fig. 56,1).
- Grip the kitchen unit at the recessed grips and lift it out of the vehicle.



▷ If the bed couch is installed, it has to be pushed to the front or rear respectively to open the cupboard doors or flap.



▶ The kitchen unit may only be operated with a connected electricity power supply.

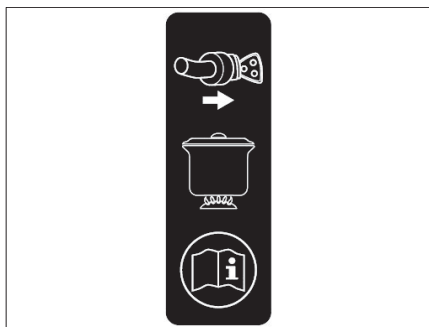


Fig. 57 Operate the kitchen unit only with a connected electricity power supply

Installing the kitchen unit

- Install the kitchen unit in the reverse order.
- Establish the electrical connection.

7.10.2 Removing and installing the kitchen unit mount

If the bench seat and the single seat are to be mounted in one row (Fig. 30 and Fig. 31) in the Campster, the kitchen unit mount has to be dismantled.

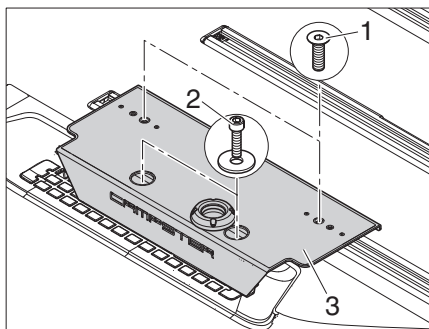


Fig. 58 Kitchen unit mount

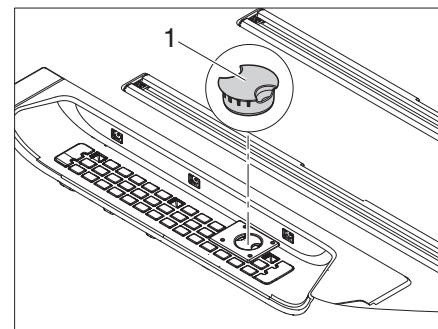


Fig. 59 Putting on the protective cap

- Screw out the two hexagon socket countersunk screws (Fig. 58,1).
- Screw out the two hexagon socket screws (Fig. 58,2) with washers.
- Remove the kitchen block mount (Fig. 58,3).
- Place the protective cap (Fig. 59,1) on the open gas venting opening.

7.11 Using the kitchen unit outdoors



- ▶ Ensure that kitchen unit is protected against wind and is set up horizontally level on a firm, flat and stable surface.
- ▶ Ensure that the kitchen unit is sufficiently far away from combustible material.
- ▶ Ensure that the liquid gas bottle valve has a clearance of at least 0.5 m to possible ignition sources and 0.5 m to the vehicle openings.
- ▶ Ensure that there are no unprotected channel inlets, cellar wells, etc. within a radius of 1 m around the liquid gas bottle.

The optional outdoor packages 1 and 2 allow the kitchen unit to be used outdoors.

7.11.1 Outdoor package 1 (special equipment)

The outdoor package 1 contains 2 stand feet and one extension cable for the electric power supply.

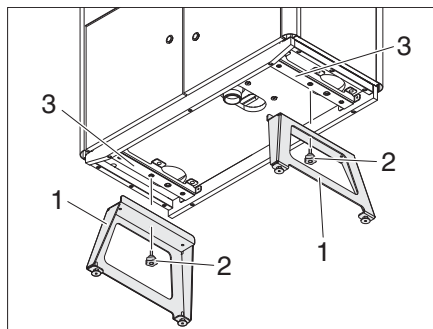


Fig. 60 Mounting the stand feet

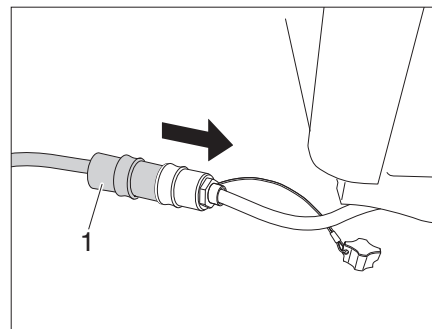


Fig. 61 Connecting the extension cable

Mounting the stand feet and extension cables

- Remove the kitchen unit (see Chapter 7.10).
 - Lift the kitchen unit at one side.
 - Fixate the stand foot to the crossbeam (Fig. 60,3) by means of the positioning pins.
 - Fasten the stand foot (Fig. 60,1) with the star screw (Fig. 60,2).
 - Lift the kitchen unit at the other end and fixate and fasten the second stand foot analogue to the first one.
 - Connect the extension cable (Fig. 61,1) to the kitchen unit and to the electrical connection in Campster entry.
- ▷ Use the extension cable (Fig. 61,1) only when using the kitchen unit outdoors.



7.11.2 Outdoor package 2 (special equipment)

The outdoor package contains a base frame and an extension cable for the electric power supply.

Base frame and extension cable are stored in a bag.

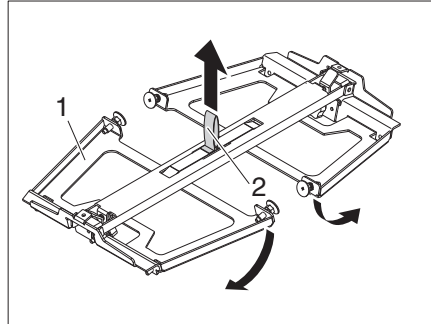


Fig. 62 Setting up the base frame

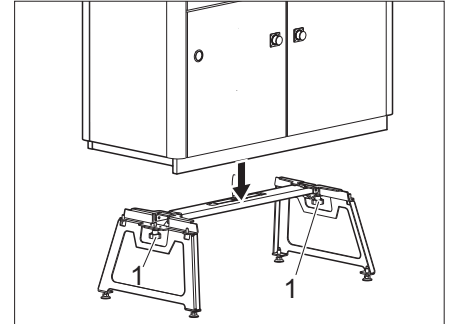


Fig. 63 Placing the kitchen unit on it

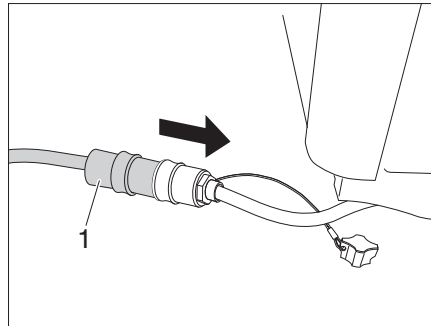


Fig. 64 Connecting the extension cable

Setting up the base frame

- Lift the base frame (Fig. 62,1) up at the strap (Fig. 62,2). The legs at both sides fold down.
- Position the feet as far as possible outwards.

Placing the kitchen unit on the base frame

- Remove the kitchen unit (see Chapter 7.10).
- Place the kitchen unit on the erected base frame (Fig. 63).
- Secure the kitchen unit and base frame with the 2 star screws (Fig. 63,1).
- Connect the extension cable (Fig. 64,1) to the kitchen unit and to the electrical connection in Campster entry.



- ▷ Use the extension cable (Fig. 64,1) only when using the kitchen unit outdoors.

8.1 General



- ▶ Close the gas isolator tap and the regulator tap before commencing the journey and when leaving the vehicle.
- ▶ No appliance (e.g. heater or cooker) that is operated through the built-in burner may be operational while fuel is being filled up, on ferries or in the garage. Danger of explosion!
- ▶ If an appliance is operated through a burner, do not start the appliance up in closed areas (e.g. garages). Danger of poisoning and suffocation!
- ▶ Have the gas system serviced, repaired or altered by an authorised workshop only.
- ▶ Have the gas system checked by an authorised specialist workshop before starting up and according to the national regulations. This also applies for not registered vehicles. For modifications to the gas system have the gas system immediately checked by an authorised specialist workshop.
- ▶ The gas pressure regulator has to be checked. The gas pressure regulator has to be replaced at least every 10 years. The vehicle owner is responsible for seeing that this is carried out.
- ▶ In case of a defect of the gas system (gas odour, high gas consumption) there is danger of explosion! Close the regulator tap on the gas bottle immediately. Open doors and windows and ventilate well.
- ▶ In case of a defect in the gas system: Do not smoke; do not ignite any open flames, and do not operate electric switches (light switches etc.).
- ▶ Have the defect in the gas system repaired by an authorised specialist workshop.
- ▶ Open the pop-up roof or a window before taking open sources of combustion (gas cooker) into service.
- ▶ Do not use the gas cooker for heating purposes.
- ▶ If the vehicle or the gas device is not used, close the regulator tap on the gas bottle.
- ▶ Ignition safety valves must close within 1 minute after the gas flame has extinguished. A clicking sound is audible. Check function from time to time.
- ▶ The fitted gas device is designed solely for operation with butane gas. The gas pressure regulator as well as the fitted gas device is designed for an operating pressure of 30 mbar.
- ▶ Regularly inspect the gas tube fitted to the gas bottle connection for tightness. The gas tube must not have any tears and must not be porous. Have the gas tube replaced by an authorised specialist workshop no later than 10 years after the manufacturing date. The operator of the gas system must see to it that the parts are replaced.
- ▶ Due to its function and construction, the gas bottle compartment is a space which is open to the exterior. Never cover or block the standard forced ventilation. Otherwise leaking gas cannot be dispersed to the outside.
- ▶ The regulator tap on the gas bottle must be accessible.



- ▶ Only connect gas-operated devices (e.g. gas grill) which have been designed for a gas pressure of 30 mbar.
- ▶ Exhaust fumes must be able to escape into the atmosphere unhindered and fresh air must be able to enter unhindered. Therefore keep the intake openings clean and free (e.g. of snow and ice). No snow walls or aprons may be allowed to lie against the vehicle.

8.2 Gas bottle



- ▶ Transport the gas bottle only within the designated gas bottle compartment.
- ▶ Place the gas bottle vertically in the gas bottle compartment.
- ▶ Tie down the gas bottle so that it is unable to turn or tilt.
- ▶ If the gas bottle is not connected to the gas tube, always place the protective cap on top.
- ▶ Close the regulator tap on the gas bottle before the gas pressure regulator or gas tube are removed from the gas bottle.
- ▶ Use your hands only to connect the gas pressure regulator or the gas tube to the gas bottle. Do not use any tools. Other gas pressure regulators are not allowed.
- ▶ Only use special gas pressure regulators (Fig. 66,2) with a safety valve for use in vehicles (included with new vehicles).
- ▶ Only use gas bottles up to 2.8 kg, including gas bottle valve with a safety device (e.g. blue 1.8 kg / 2.8 kg camping gas bottles R904 / R907 ¹⁾)
- ▶ Never block the ventilation opening in the floor under the gas bottle.

¹⁾ A gas bottle valve with safety device is not part of the camping gas bottle.



- ▷ Screwed connections on the gas pressure regulator have left-handed threads.
- ▷ For gas-operated units the gas pressure must be reduced to 30 mbar.
- ▷ Connect gas pressure regulator complete with safety valve directly to bottle valve.
The gas pressure regulator reduces the gas pressure in the gas bottle down to the operating pressure of the gas device.
- ▷ Information is available at the dealers and service centres.

8.3 Establishing the gas connection



- ▶ Have the gas connection established only by a specialist person.

When the Campster is commissioned, the gas connection in the kitchen unit has to be established.

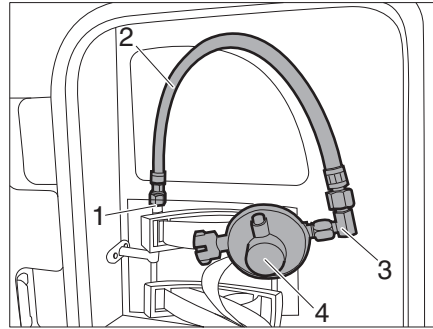


Fig. 65 Gas tube with gas pressure regulator

- Screw the elbow (Fig. 65,3) onto the gas tube (Fig. 65,2).
- Screw the gas pressure regulator (Fig. 65,4) onto the elbow.
- Screw the gas tube (Fig. 65,2) with the gas pressure regulator onto the connecting piece (Fig. 65,1).
- Connect the gas bottle (see Chapter 8.4).

8.4 Changing gas bottles



- ▶ When changing the gas bottle, do not smoke or create any open fire.
- ▶ When you have changed the gas bottle, check whether gas escapes at the connection points and unions. Use a leakage search spray to spray the relevant connection point or union. These agents are available at the accessories shop.

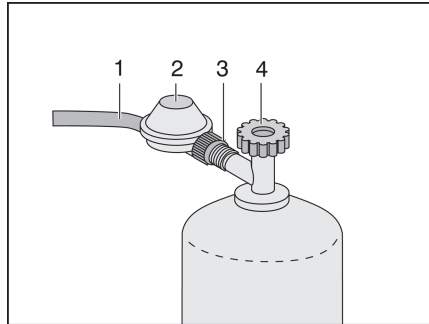
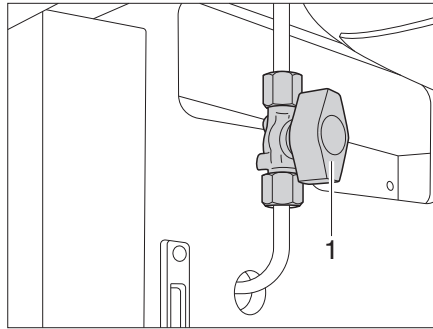


Fig. 66 Gas bottle connection

- Open flap for the gas bottle compartment.
- Close the regulator tap (Fig. 66,4) on the gas bottle. Pay attention to the direction of the arrow.
- Hold the gas pressure regulator (Fig. 66,2) and open the knurled nut (Fig. 66,3) (left-handed thread).
- Remove the gas pressure regulator and the gas tube (Fig. 66,1) from the gas bottle.
- Release the fixing belts and remove the gas bottle.
- Place a filled gas bottle in the gas bottle compartment.
- Fix gas bottle in place with the fixing belt.
- Position the gas pressure regulator (Fig. 66,2) and the gas tube (Fig. 66,1) on the gas bottle and tighten the knurled nut (Fig. 66,3) by hand (left-handed thread).
- Close flap.

8.5 Gas isolator tap



1 Gas isolator tap Cooker

Fig. 67 Gas isolator tap

A gas isolator tap (Fig. 67,1) is installed in the vehicle for the cooker.

8.6 Automatic gas isolator tap



- ▶ The gas system may not be operated if the pop-up roof is closed. Danger of poisoning and suffocation!



- ▶ If the power supply is interrupted, the solenoid valve in the automatic gas isolator tap closes. After the power supply has been restored the solenoid valve opens up automatically again!

The automatic gas isolator tap (Fig. 68,1) is located at the bottom of the kitchen unit. It prevents the gas supply when the pop-up roof is closed. If the switch (Fig. 69,1) is activated through the pop-up roof, the automatic gas isolator tap closes the gas supply.

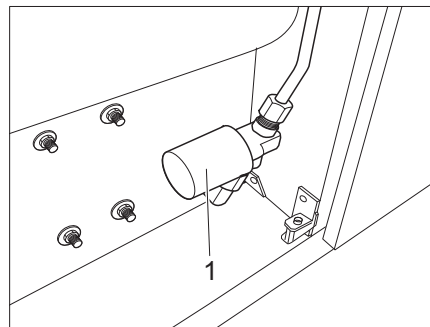


Fig. 68 Automatic gas isolator tap

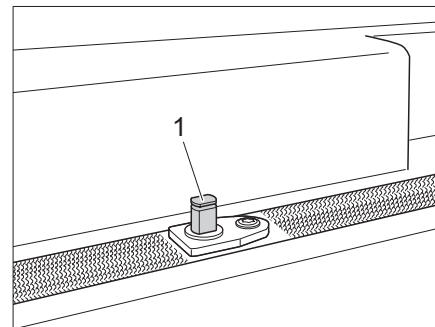


Fig. 69 Switch for automatic gas isolator tap

8.7 Remote gas switch



- ▷ When the roof is closed, there is no power supply to the kitchen and the remote gas switch does not have any effect. In outdoor operation the kitchen functions when the roof is closed.

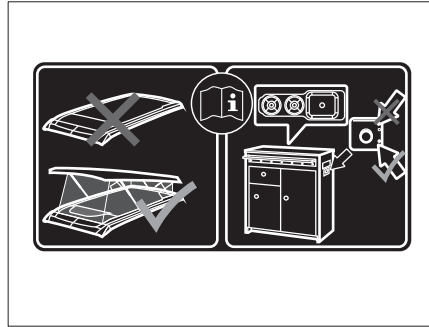
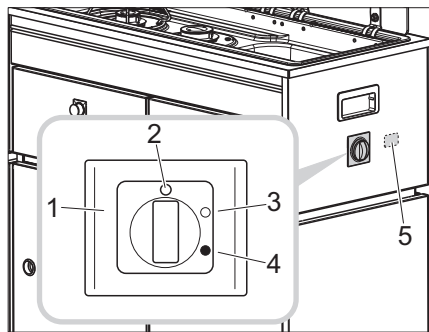


Fig. 70 Switch the gas isolator tap off only in outdoor operation.

The remote gas switch (Fig. 71,1) is located at the side of the kitchen unit. The remote gas switch can be used to switch the automatic gas isolator tap off and on.



- 1 Remote gas switch
- 2 Operating indicator
- 3 Gas supply Off
- 4 Gas supply On
- 5 Fuse of remote gas switch

Fig. 71 Remote gas switch

The remote gas switch (Fig. 71,1) is protected with a fuse (Fig. 71,5). The fuse is located in the inside of the kitchen unit (see also Chapter 9.6.4).

9.1 General safety instructions



- ▶ Only allow qualified personnel to work on the electrical system.
- ▶ All electronic devices (e.g. mobile telephones, radios, televisions or DVD players) which have been retrofitted to the vehicle and are operated during the journey must have specific features: These are the CE certification, the EMC test (electromagnetic compatibility) and the "E1" inspection.
Only in this way can the functional reliability of the vehicle be ensured. Otherwise the airbag may be triggered or interference to the on-board electronics may result.

The vehicle is a safe place during a storm (Faraday cage). However, to protect the electrical devices, disconnect the 230 V connection and retract the antennae as a precaution.

9.2 12 V power supply



- ▷ To disconnect **all** electrical 12 V appliances from the power supply, disconnect the living area battery from the 12 V power supply. To this purpose press the switch on the transformer/rectifier.

When the vehicle is not connected to the 230 V power supply or the 230 V power supply is switched off, the living area battery supplies the living area with 12VDC.

The living area battery has a limited power supply only. For this reason, electrical appliances such as the lights should not be operated for a long time without using the 230 V power supply.

The 12 V power supply can be cut off with the 12 V main switch on the panel. The heater remains ready to operate.

When the vehicle engine is running, the vehicle alternator recharges the living area battery and the starter battery.

Compressor cooler The cooler is only operated with 12 V.

9.2.1 Living area battery



- ▷ Prior to commencing a journey ensure the living area battery is fully charged. For this reason charge the battery for at least 20 hours before commencing the journey.
- ▷ During the trip, use every opportunity to charge the living area battery.
- ▷ Charge the living area battery for at least 20 hours after the journey.
- ▷ Charge the battery for at least 20 hours before laying up.
- ▷ Longer total discharge damages the battery irreparably.
- ▷ Use only the installed transformer/rectifier to charge the living area battery.
- ▷ Irreparable damage to the living area battery will result if it is overcharged.
- ▷ For long periods of inactivity (4 weeks or more), either disconnect the living area battery from the 12 V power supply or recharge it regularly.
- ▷ Do not smoke near the living area battery.

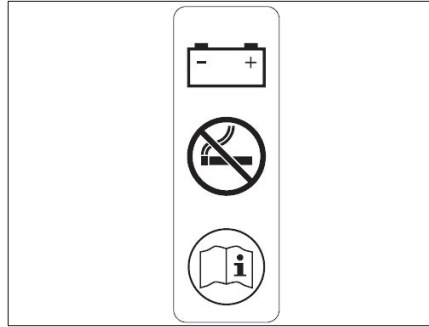


Fig. 72 Do not smoke near the living area battery



- ▷ The battery is maintenance-free. Maintenance-free means:
 - It is not necessary to check the acid level.
 - It is not necessary to lubricate the battery poles.
 - It is not necessary to refill the distilled water.
- Even a maintenance-free battery must be charged regularly.

The charging condition of the living area battery can be read off on the panel.

Location

The living area battery is installed in the tall cupboard in the rear on the left-hand side.

Charging using a 230 V power supply

If the vehicle is connected to the 230 V power supply, the living area battery and the starter battery are automatically charged by the charger module on the transformer/rectifier. The starter battery is charged with a float charge of 2 A. The charging current is adapted to suit the charging condition of the battery. This ensures that it is not possible to overload the battery.

To make use of the maximum output from the charger module on the transformer/rectifier, switch off all electrical appliances during charging.

Charging using the vehicle engine

When the vehicle engine is running, the vehicle alternator recharges the living area battery and the starter battery. When the vehicle engine is switched off, the batteries are automatically disconnected from one another by a relay in the transformer/rectifier. This prevents the starter battery from being run down by electrical appliances in the living area. The starting capability of the vehicle is thus preserved. The charging condition of the living area battery or the starter battery can be read on the panel.

Changing

- ▷ When the living area battery is changed, only use batteries of the same type.
- ▷ When changing the living area battery, use only batteries which meet the minimum capacity of the charger. Observe the separate instruction manual for the charger. Lower-capacity batteries will generate a great deal of heat when they are charged. Danger of explosion!
- ▷ Do not connect the battery cables to the wrong poles.
- ▷ Do not use the ignition when the starter battery or the living area battery is disconnected. Danger of short circuit!
- ▷ Before disconnecting or connecting the terminals of the battery, switch off the vehicle engine, the 230 V and 12 V power supplies as well as all the appliances. Danger of short circuit!
- ▷ Do not smoke when replacing the living area battery.

To change the living area battery, proceed as follows:

- Switch off the vehicle engine.
- Switch off the 12 V main switch on the panel. The indicator lamp goes out.
- Switch the battery cut-off switch on the transformer/rectifier to "Batterie Aus" ("battery Off").
- Disconnect the mains plug from the transformer/rectifier.
- Switch off all gas appliances, the gas isolator tap and close the regulator tap on the gas bottle.
- There is a danger of short circuit when disconnecting the battery poles. For this reason, first disconnect the negative pole on the living area battery and then the positive.
- Remove the living area battery from the vehicle.
- Install the new living area battery in the reverse order.

9.3 Transformer/rectifier (EBL 119)



▷ Do not cover the ventilation slots. Danger of overheating!



▷ Depending on the model, not all fuse slots are fitted with fuses.
 ▷ Further information can be obtained in the manufacturer's instruction manual.

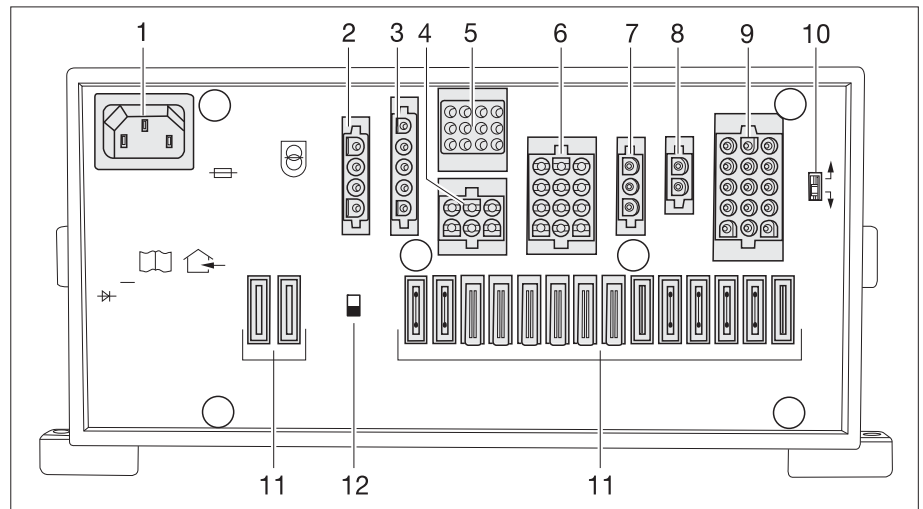


Fig. 73 Transformer/rectifier (EBL 119)

- 1 Main supply socket 230 V~
- 2 Output: Block 1 - refrigerator
- 3 Input: Block 2 - control lines, alternator D+
- 4 Output: Block 4 - heater, safety/drainage valve, basic light (lighting in the entrance area), entrance step
- 5 Output: Block 3 - panel
- 6 Output: Block 5 - display of solar cell at the on-board control (if fitted), Reserve 2, Reserve 3, Reserve 4
- 7 Output: Block 6 - solar charge regulator (if fitted)
- 8 Output: Block 7 - auxiliary charging unit
- 9 Output: Block 8 - consumer circuit 1, consumer circuit 2, TV, water pump, Reserve 1, Reserve 5, Reserve 6
- 10 Battery selector switch (lead acid/dryfill/AGM)
- 11 Fuses
- 12 Battery cut-off switch (Battery On/Off)

Functions

The transformer/rectifier has the following functions:

- The transformer/rectifier charges the living area battery. The transformer/rectifier charges the starter battery with a float charge only.
- The transformer/rectifier monitors the voltage in the living area battery.
- The transformer/rectifier distributes the current to the 12 V circuits and secures them. Devices with a maximum of 10 A can be connected to the sockets.
- The transformer/rectifier contains connections for a solar charge regulator, an auxiliary charging unit as well as other control and monitoring functions.
- When the engine is turned off, the transformer/rectifier separates the starter battery electrically from the living area battery. This prevents the 12 V living area appliances from discharging the starter battery.

The transformer/rectifier only works in conjunction with a panel.

When the transformer/rectifier is subject to a heavy load, the fitted charger module reduces the charging current. This protects the charging device against overheating. The transformer/rectifier is subject to a heavy load when e.g. an empty living area battery is charged, additional electrical appliances are turned on and the ambient temperatures are high.

Location Depending on the model, the transformer/rectifier is located in the seat console under the driver's seat or the front passenger's seat.

9.3.1 Battery cut-off switch



- ▷ The battery cut-off switch disconnects all consumers that are connected to the transformer/rectifier from the 12 V supply.
- ▷ After the battery cut-off switch has been switched on again: Take the heater and Reserve 4 back into operation (depending on the model). To this purpose switch the 12 V main switch on briefly. This also applies if the living room battery was disconnected and then reconnected.

The battery cut-off switch switches off all the living area 12 V appliances, including even the safety/drainage valve. This prevents the living area battery from slowly discharging if the vehicle is not used for a longer period of time (e.g. temporary lay-up).

The batteries can still be charged by the transformer/rectifier even when the battery cut-off switch is switched off.

Switching on/off:

- Press top of battery cut-off switch: Battery on.
- Press bottom of battery cut-off switch: Battery off.

9.3.2 Battery selector switch



- ▶ If the battery selector switch is set incorrectly, oxyhydrogen gas can arise. Danger of explosion!



- ▷ An incorrect position of the battery selector switch damages the living area battery.
- ▷ Do not change the factory setting of the battery selector switch.

The charger module in the transformer/rectifier can be set to the type of living area battery installed in the vehicle ("Lead acid", "Dryfill" or "AGM*") at the battery selector switch (* only at EBL 119).

9.3.3 Battery monitoring



- ▷ **Completely recharge a discharged living area battery as soon as possible.**

The battery monitoring in the transformer/rectifier monitors the voltage in the living area battery.

If the battery voltage falls below 10.5 V, the battery monitor in the transformer/rectifier switches off all of the 12 V appliances.

Measures:

- Switch off all the electrical appliances that are not essential at the corresponding switch.
- If necessary, use the 12 V main switch to switch the 12 V power supply back on briefly. This is only possible, however, if the battery voltage lies above 11 V. If the voltage is below this level, the 12-V power supply cannot be switched on again until the living area battery has been recharged.

9.3.4 Charging the battery

When the vehicle engine is running, the vehicle alternator recharges the living area battery and the starter battery. The main charge is applied to the starter battery. The living area battery cannot be charged completely during the journey. When the vehicle engine is switched off, the batteries are automatically disconnected from one another by a relay in the transformer/rectifier. This prevents the starter battery from being run down by electrical appliances in the living area. The starting capability of the vehicle is thus preserved. The charging condition of the living area battery or the starter battery can be read on the panel.

If the vehicle is connected to the 230 V power supply, the living area battery and the starter battery are automatically charged by the charger module on the transformer/rectifier. The starter battery is only charged with a float charge. The charging current is adapted to suit the charging condition of the battery. This ensures that it is not possible to overload the battery.

To make use of the maximum output from the charger module on the transformer/rectifier, switch off all electrical appliances during charging.

9.4 Panel LT 104

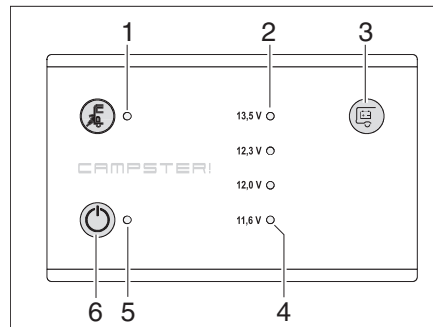


Fig. 74 Panel LT 104

- 1 230 V indicator lights up at connected power supply (yellow)
- 2 Indicator LEDs (green-green-yellow-red) display of the battery voltage in four levels with voltage specification and warning against total discharge
- 3 Reading of battery voltage of the living area battery
- 4 Warning LED total discharge
- 5 12 V indicator lamp (green) at switched-on system
- 6 Main switch 12 V ON/OFF

9.4.1 Read battery voltage

Battery voltage

With the sensor touchpad (Fig. 74,3) the battery voltage of the living area battery can be displayed.

The indicator LEDs (Fig. 74,2) displays the battery voltage.

- Displays:*
- Red warning indicator LED (Fig. 74,4) lights up: Battery voltage above 11.6 V
 - Red and yellow LEDs light up: Battery voltage above 12.0 V
 - Red, yellow and the lower green LEDs light up: Battery voltage above 12.3 V
 - All LEDs light up: Battery voltage above 13.5 V

9.4.2 Battery alarm for the living area battery

The red warning LED (Fig. 74,4) lights up as soon as the voltage of the living area battery only still amounts to 11 V (measured under operation) and there is a risk of a total discharge.



- ▷ When the battery alarm comes on, switch off the appliances and charge the living area battery, either by driving or by connection to a 230 V power supply.
- ▷ Total discharge damages the battery.



- ▷ If the battery voltage falls below 10.5 V, the battery monitor in the transformer/rectifier switches off all of the 12 V appliances.

9.4.3 12 V main switch

The 12 V main switch (Fig. 74,6) switches the panel and the 12 V power supply of the living area on and off.

Exception: Depending on the model, the heater and Reserve 4 remain ready for operation.

Switching on: ■ Touch sensor touchpad (Fig. 74,6): The 12 V living area power supply is switched on. The 12 V indicator lamp (Fig. 74,5) lights up green.

Switching off: ■ Touch sensor touchpad (Fig. 74,6) again: The 12 V living area power supply is switched off. The 12 V indicator lamp (Fig. 74,5) goes out.



- ▷ When leaving the vehicle switch off the 12 V main switch. This prevents unnecessary discharging of the living area battery.
- ▷ Appliances such as the charger, solar charge regulator and panel consume approx. 20 mA to 65 mA of electricity from the battery capacity, even when the 12 V main switch is turned off. Therefore disconnect the living area battery from the 12 V power supply, if the vehicle will not be used for a long period of time.

9.4.4 12 V indicator lamp

The 12 V indicator lamp (Fig. 74,5) illuminates whenever the 12 V main switch (Fig. 74,9) is switched on.

9.4.5 230 V indicator lamp

The yellow 230 V indicator lamp (Fig. 74,1) lights up whenever line voltage is available at the transformer/rectifier input.

9.5 230 V power supply



- ▶ Only allow qualified personnel to work on the electrical system.

The 230 V power supply provides electricity for:

- Sockets with earth contact for appliances with maximum 10 A
- Transformer/rectifier

The electrical appliances connected to the 12 V power supply of the living area are supplied with voltage by the living area battery.

Connect the vehicle to an external 230 V power supply system as often as possible. The charger module in the transformer/rectifier automatically charges the living area battery. In addition to this, the starter battery is charged with a float charge of 2 A.

9.5.1 230 V connection



- ▶ The external 230 V power supply is protected by a fuse with a fault current protection switch (FI-switches, 30 mA).
- ▶ Completely unwind the cable on cable drums to prevent overheating.



- ▷ For the connection points on camp sites (camping distributors) highly sensitive fault current protection switches (FI-switches, 30 mA) are obligatory.

The vehicle can be connected to an external 230 V power supply. The cable may have a length of maximum 25 m.

Depending on the model, the flap for the 230 V connection is identified with the symbol "⚡".

Connecting the power cable:

- Open the external flap.
- Depending on the model, fold up the cover.
- Plug in the plug:



- ▷ Depending on the model, unlock the plug before pulling it out.

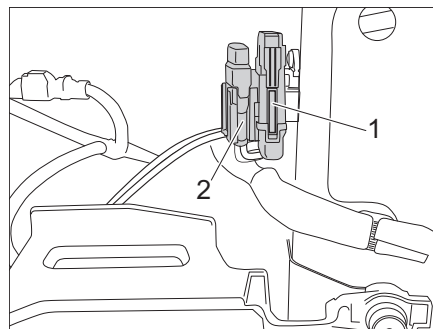
9.6 Fuses



- ▶ Only replace defective fuses when the cause of the defect is known and has been remedied.
- ▶ Only replace defective fuses when the power supply is switched off.
- ▶ Never bridge or repair fuses.

9.6.1 Main fuses 12 V

Location The main fuses 12 V (Fig. 75,1) are located in the engine compartment.

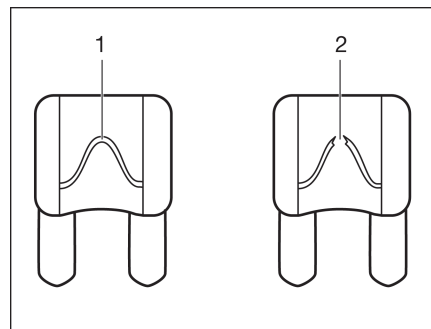


- 1 Main fuse 40 A/orange
- 2 5 A fuse for trickle charging of the starter battery as soon as 230 V are connected

Fig. 75 Main fuse

9.6.2 12 V fuses

The appliances connected to the 12 V power supply in the living area are fused individually. The fuses are accessible at different positions in the vehicle.



- 1 Unbroken fuse element
- 2 Broken fuse element

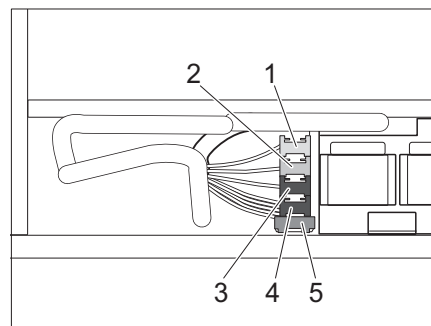
Fig. 76 12 V fuse

An intact 12 V fuse can be detected by the unbroken fuse element (Fig. 76,1). If the fuse element is broken (Fig. 76,2), change the fuse.

Before changing fuses, take the function, value and colour of the relevant fuses from the following specifications. When changing fuses, only use flat fuses with the values shown below.

Fuses for the living area battery

The 12 V fuses are located on the rear wall of the built-in cupboard.



- 1 Fuse 5 A for control line, independent vehicle heater special equipment (Ebersbächer)
Fuse 1 A for control line, independent vehicle heater special equipment (Webasto)
- 2 Fuse 20 A for load fuse independent vehicle heater special equipment
- 3 Fuse 2 A for K15 (SIG IN) D+Generator DP07
- 4 Fuse 2 A for control line from EBL 119
- 5 Jumbo flat fuse 40 A (load fuse EBL 119)

Fig. 77 12 V fuses

Fuse of the tow coupling (special equipment)

The 12 V fuses for protecting the tow coupling are located in the tall cupboard on the left-hand side behind the flap (Fig. 78,1).

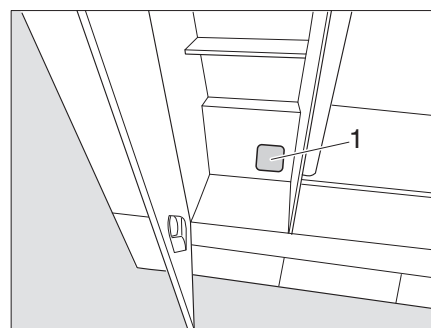


Fig. 78 Flap of the fuse for the tow coupling

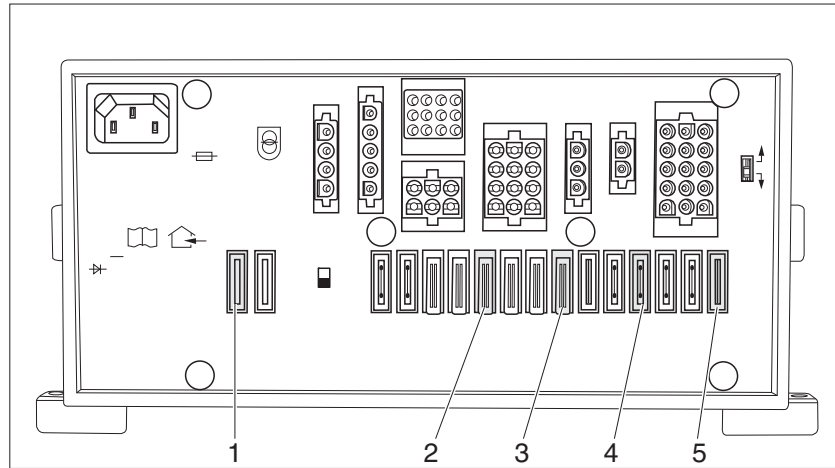


Fig. 79 Transformer/rectifier (EBL 119)

Fuses at the transformer/rectifier EBL 119

Pos.	Function	Value/ colour
1	Internal charger for charging the battery	20 A yellow
2	Reserve 2 – 12 V socket for cooler between the driver's seat	15 A blue
3	Reserve 5 – Cooler, firmly fitted in the built-in cupboard (special equipment)	15 A blue
4	Circuit 1 – LED lighting strips under the bed	10 A red
5	Pump – Kitchen/ignition cooker, remote gas switch and water pump	5 A beige

9.6.3 230 V fuse



▷ The 230 V automatic circuit breaker is located in the tall cupboard on the left-hand side.

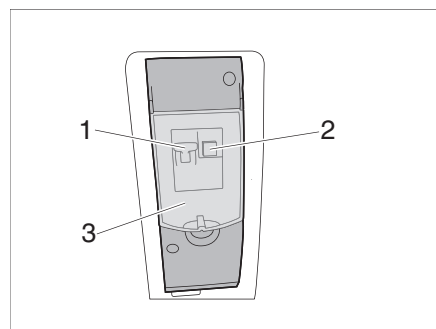


Fig. 80 230 V automatic circuit breaker

■ Open the cover flap (Fig. 80,3).

The 230 V connection is protected by a two-pole automatic circuit breaker (Fig. 80,1).



▷ The residual current circuit breaker (Fig. 80,2) for 230 volts should be tripped once annually so that the mechanism does not "stick" and the tripping time is not extended.

9.6.4 Fuse of remote gas switch

The fuse for the remote gas switch is located in the interior of the kitchen unit on the right-hand side.

Exchanging a fuse

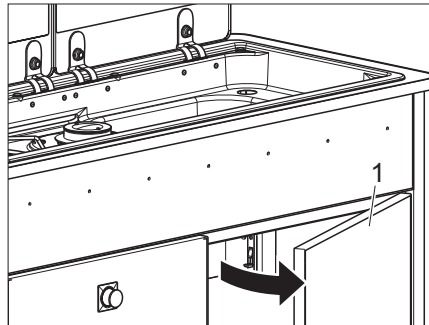


Fig. 81 Opening cupboard door

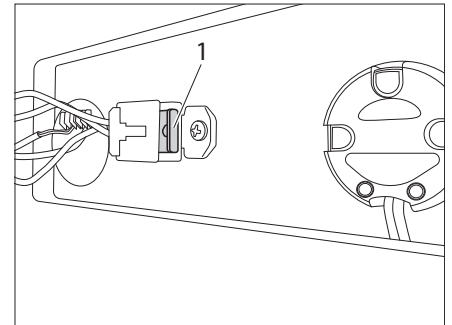


Fig. 82 Exchanging a fuse

- Open the cupboard door (Fig. 81,1).
- Exchange the fuse (Fig. 82,1).
- Close the cupboard door (Fig. 81,1) again.

10.1 General



- ▷ For safety reasons, spare parts for pieces of heating appliances must correspond with manufacturer's instructions and be permitted by the manufacturer as a spare part. These spare parts may only be fitted by the manufacturer or an authorised specialist workshop.

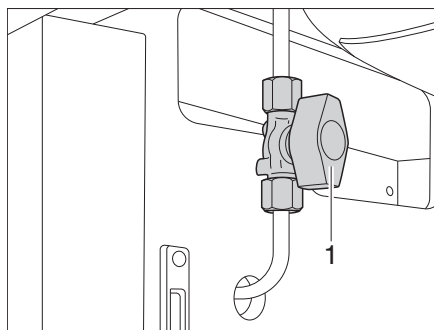


- ▷ Further information can be obtained in the instruction manual for the respective appliance.

The appliances heater, cooker and cooler are fitted depending on the model of the vehicle.

In this instruction manual a description is given only for the operation of the appliances and their particular features.

To operate gas appliances, first open the regulator tap on the gas bottle and the gas isolator tap.



1 Gas isolator tap Cooker

Fig. 83 Gas isolator tap

10.2 Diesel independent vehicle heater (special equipment)

The Campster is optionally equipped with a diesel independent vehicle heater.



- ▷ A slight smell can arise when new heating appliances are used the first few times.
- ▷ In the case of continuous operation at low output levels, we recommend that the heating appliance be operated about once a month for 15 minutes with full load in order to burn possible deposits in the burner.
- ▷ Heating of the interior during the journey is possible and allowed.
- ▷ Further information can be obtained in the manufacturer's instruction manual.

10.3 Diesel independent vehicle heater operating panel



- ▶ Further information can be obtained in the manufacturer's instruction manual.

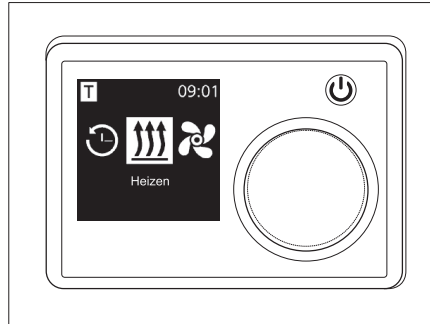


Fig. 84 Operating panel



- ▶ Your built-in operating panel can differ from this illustration. Refer to the supplied instruction manual.

The diesel independent vehicle heater is controlled with the operating panel. The following functions are available:

- Heating
- Ventilating (only air circulation, not fresh air)



- ▶ The ventilation function only activates the fan. The heating function is always switched off.

There are several fan speeds to choose from. They differ in the strength of the air current that moves the circulating air inside the Campster.

10.4 Gas cooker



- ▶ Never let gas escape unburned due to danger of explosion.
- ▶ Before using the cooker make sure that there is sufficient ventilation. Open windows or the pop-up roof.
- ▶ Do not use the gas cooker for heating purposes.
- ▶ Always protect your hands with cooking gloves or potholders when handling hot pots, pans and similar items. There is a risk of injury!
- ▶ During activation and operation of the gas cooker, no flammable or easily combustible objects such as dishcloths, napkins etc. may be near the gas cooker. Fire hazard!
- ▶ The process of ignition must be visible from above and must not be covered by cooking pans placed on the cooker.
- ▶ Depending on the model, the gas cooker lid is held closed by a spring. When closing there is danger of getting injured!
- ▶ The flames of the gas cooker must always be covered by cooking pots or pans. Never use the gas cooker without cooking pots or pans.

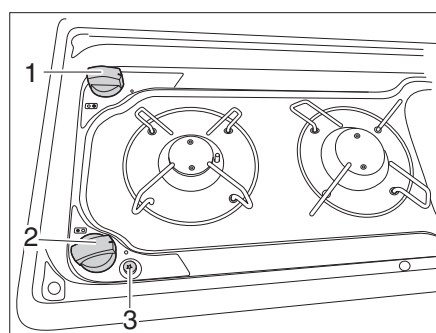


- ▷ Do not use the glass gas cooker lid as a hob.
- ▷ Do not close the gas cooker lid while the gas cooker is in operation.
- ▷ Do not apply pressure on the gas cooker lid when it is closed.
- ▷ Do not place hot cooking pans on the gas cooker lid.
- ▷ Keep the gas cooker lid open after cooking as long as the burner emits heat. The glass plate could otherwise burst.



- ▷ Use only pots and pans whose diameter is suitable for the burner grates of the gas cooker.
- ▷ When the flame fades, the thermocouple automatically cuts the gas supply.
- ▷ Further information can be obtained from the separate instruction manual "Gas cooker".

The vehicle kitchen unit is fitted with a two-burner gas cooker.



- 1 Control knob for right-hand burner
- 2 Control knob for left-hand burner
- 3 Ignition button

Fig. 85 Operating controls for gas cooker

- Switching on:**
- Open the regulator tap (Fig. 66,4) on the gas bottle and the gas isolator tap (Fig. 83,1).
 - Open the gas cooker lid.
 - Turn the control knob (Fig. 85,1 or 2) of the desired burner to the ignition position (large flame).
 - Press down the control knob and hold it down.
 - Press the ignition button (Fig. 85,3).
 - When the flame burns, hold the control knob down for 10 to 15 seconds, until the thermocouple keeps the gas supply automatically open.
 - Release the control knob and turn to the desired setting.
 - If ignition was not successful, repeat the entire procedure.
- Switching off:**
- Turn the control knob (Fig. 85,1 or 2) to the 0-position. The flame fades.
 - Close the gas isolator tap (Fig. 83,1) and the regulator tap (Fig. 66,4) on the gas bottle.

10.5 Coolers (optional)



▷ When the front cooler is installed, the seats cannot be rotated. If the front seats are to be turned, the front cooler has to be removed.

The front cooler (Fig. 86) (optional) is located between the driver's and the front passenger's seat. It is operated via the 12 V power supply. Optionally a further cooler (Fig. 87) can be installed at the rear in the tall cupboard on the left-hand side in the factory.

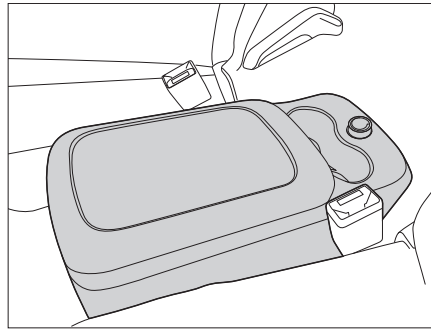


Fig. 86 Cooler between the driver's and front passenger's seat (optional)

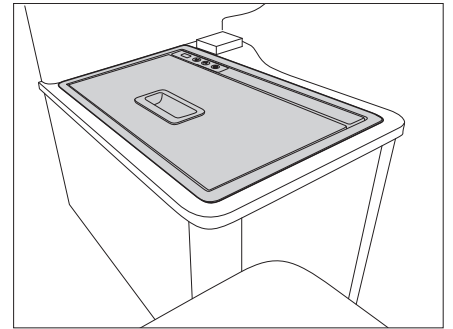


Fig. 87 Cooler in the tall cupboard (optional)

Removing the front cooler

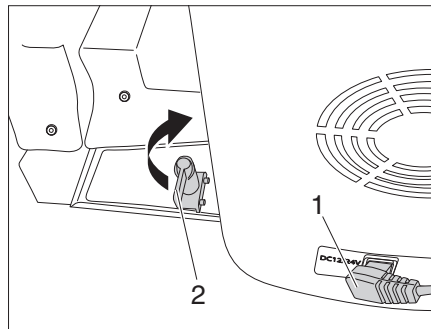


Fig. 88 Locking device

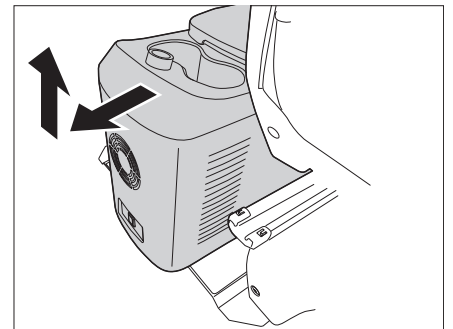


Fig. 89 Removing the cooler

- Remove the 12 V connection (Fig. 88,1) at the cooler.
- Turn the locking device (Fig. 88,2) at the retaining plate by 180° to the front.
- Pull the cooler to the rear and remove it upwards (Fig. 89).

Installing the cooler

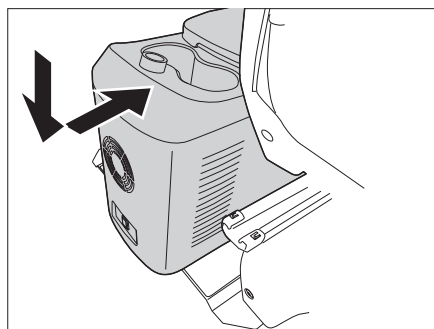


Fig. 90 Installing the cooler

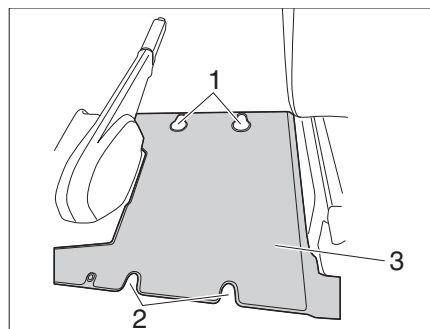


Fig. 91 Retaining plate

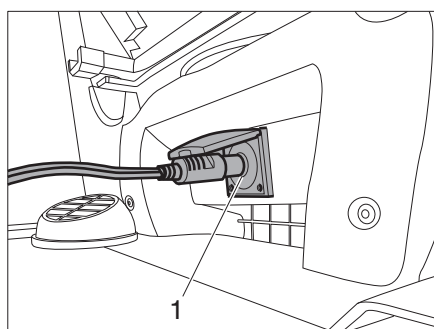


Fig. 92 12 V connection under the seat

- Place the feet of the cooler into the drilled holes (Fig. 91,1 and 2) of the retaining plate (Fig. 91,3) and slide the cooler forwards until it latches in (Fig. 90).
- Turn the locking device (Fig. 88,2) at the retaining plate by 180° to the rear.
- Plug in the 12 V connection (Fig. 88,1) at the cooler.
- Plug the plug into the 12 V socket (Fig. 92,1) under the seat.
- After the installation check that the cooler is seated firmly.



Danger of the vehicle battery discharging!

- ▷ Connect the cooler only to the 12 V socket (Fig. 90,1). All other sockets are supplied by the vehicle battery.

11.1 Water supply, general



- ▶ Fill the water canister with fresh water only.
- ▶ Water left standing in the water canister or in the water pipes becomes undrinkable after a short period. For this reason, rinse the water pipes and the water canister thoroughly with several litres of fresh water before each use of the vehicle. To do this, open the water tap. After each use of the vehicle completely empty the water canister and the water pipes.



- ▷ If the vehicle is not used for several days or if it is not heated when there is a risk of frost, empty the entire water system. Leave the water tap on in central position. Frost damage to appliances, frost damage to the vehicle and deposits in water-carrying components can be avoided in this way.
- ▷ The water pump will overheat without water and can get damaged. Never operate water pump when the water canister is empty.
- ▷ Use the water pump only in the water canister with fresh water.

The vehicle is equipped with an installed water canister. An electric water pump pumps the water to the water tap (Fig. 95,1). Opening the water tap automatically switches on the water pump and pumps water to the tap.

The waste water canister collects the waste water.



- ▷ Before using the water tap, the 12 V power supply on the panel must be switched on. Otherwise the water pump will not work.
- ▷ The water supply system conforms to the latest state of technology 03/2009 (Directive 2002/72/EC).

11.2 Water canister

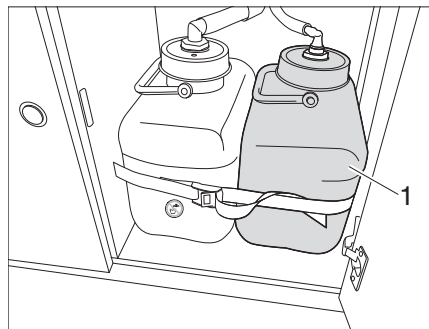


Fig. 93 Water canister

Volume The water canister (Fig. 93/1) encompasses approx. 10 l.

11.3 Waste water canister



- ▷ In case of frost add so much anti-freeze (e.g. kitchen salt) to the waste water canister so that the waste water cannot freeze.
- ▷ Never pour boiling water directly into the sink outlet. Boiling water could cause deformation and leaks in the waste water pipe system.



- ▷ Only empty the waste water canister at disposal stations, at camping sites or caravan sites, that are especially provided for this purpose.

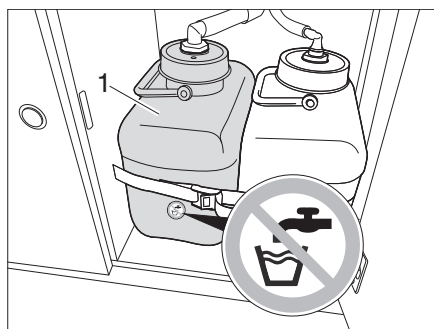


Fig. 94 Waste water canister

The waste water canister (Fig. 941) is located in the kitchen unit.

Volume The waste water canister encompasses approx. 10 l.

Cleaning Clean the waste water canister several times per year (see Chapter 12).

11.4 Water system



- ▷ The water pump will overheat without water and can get damaged. Never operate water pump when the water canister is empty.
- ▷ If the vehicle is not used for several days or if it is not heated when there is a risk of frost, empty the entire water system. Leave the water tap opened. Frost damage to the appliances and deposits in water-carrying components can be avoided in this way.
- ▷ After the water system has been drained, close the water tap again.

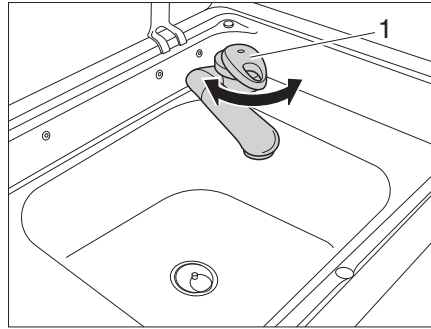


Fig. 95 Sink with water tap

The kitchen unit contains a sink with water tap.

Opening/closing the water tap

- Turn the water tap (Fig. 95/1).
Water is pumped from the water canister (Fig. 93/1) upwards. The waste water canister (Fig. 94/1) collects the waste water.
- Turn the water tap (Fig. 95/1) back.
The pump in the water canister stops.

12.1 External care

12.1.1 Washing with a high-pressure cleaner



- ▷ Do not clean the tyres with a high-pressure cleaner. The tyres might be damaged.
- ▷ Do not spray external applications (deco-films) directly with the high-pressure cleaner. The external applications could come off.

Before cleaning the vehicle with a high-pressure cleaner, observe the operating instructions of the high-pressure cleaner.

When cleaning with the nozzle for circular jet between the vehicle and the cleaning nozzle, maintain a minimum distance of approx. 700 mm.

Take into consideration that the jet of water comes out of the cleaning nozzle with pressure. The vehicle may be damaged by incorrect handling of the high-pressure cleaner. The temperature of the water should not be above 60 °C. Keep the jet of water in constant movement during the washing process. Do not direct the water jet at clearances, built-in electrical parts, plugs, seals, ventilation grills or skylights. The vehicle may be damaged or water may enter the interior.

12.1.2 Washing the vehicle



- ▷ Never have the vehicle cleaned in a car wash. Water can penetrate in the forced ventilations. The vehicle could be damaged.

- Wash the vehicle only on a washing site intended for this purpose. Avoid full sunshine. Observe environmental measures.
- Clean external applications and synthetic parts only with plenty of warm water, suitable cleaning agents and soft cloth.
- Wash down the vehicle with plenty of water, a clean sponge or a soft brush. In the case of stubborn dirt add dish washing liquid to the water.
- Treat rubber seals of doors and storage flaps with talc.
- Treat locking cylinder of doors and storage flaps with graphite dust.

12.2 Interior care



- ▷ If possible, treat stains immediately.
- ▷ Synthetic parts in the living area are very delicate and should be treated with care. Do not use solvents, alcohol-containing cleaning agents or scourers containing sand. This procedure will help you to avoid brittleness and formation of cracks.
- ▷ Do not pour any corrosive agents into the drain holes. Never pour boiling water directly into the drain holes. Corrosive agents and boiling water cause damage to drainage pipes and siphon traps.
- ▷ Do not use vinegar based products to clean the water system, or for decalcification of the water system. Vinegar-based products may cause damage to seals or parts of the installation. Use standard decalcifying products for decalcification.
- ▷ Save water. Mop up all remaining water.



▷ The service centres of our dealers will be glad to provide information about the use of maintenance products.

- Surface and knobs of furniture, lamps and synthetic parts in the living area should be cleaned with water and a wool cloth. A mild cleanser may be added to the water. If necessary, treat finished surfaces with furniture polish.
- Clean upholstery with dry foam specially manufactured for the use on upholstery or with the foam of a mild detergent. Do not wash upholstery. Protect upholstery from direct sunlight so that it does not lose its colour.
- Never clean the sink or the gas cooker with a scourer. Avoid anything which may cause scratching or grooves.
- Clean gas cooker only with a moist cloth. Prevent any water from penetrating the gas cooker. Water may damage the gas cooker.
- Unrolled seat belts can be cleaned with warm soapsuds. The seat belts must be completely dry before being rolled up.
- Clean water canister with water and dish washing liquid and rinse subsequently with plenty of fresh water.

12.3 Instructions for care of the pop-up roof



▷ The instructions for care must be carried out several times, but at least once per year, depending on how often the pop-up roof is used.

- Apply a standard impregnation substance to the cloth bellows before the season begins
- Never close the cloth bellows in a moist or wet state. If you do so nevertheless, it must be dried completely as soon as possible.
- Apply talc or a comparable product to the rubber seals at the roof shell before winter sets in so that the seals do not freeze to the vehicle body during cold weather.
- The roof must be cared for in accordance with the paint care instructions of the vehicle manufacturer. Standard paint care products can be used.
- Observe the care instructions of the company SCA.

12.4 Winter care



- ▷ If there is any risk of frost, always run heater at a minimum of 15 °C. Set the circulation fan (if existing) to automatic mode. In the case of extreme external temperatures, the furniture flaps and doors should be left slightly open. The inflowing warm air can help prevent the freezing of water pipes, for example, and counteract the formation of condensation in the storage spaces.

12.4.1 Winter operation

During winter operation, condensation develops when the vehicle is occupied under low-temperature conditions. To ensure good interior air quality and avoid vehicle damage from condensation, sufficient ventilation is essential.

- When heating the vehicle, the heater should be at the highest setting and roof storage cabinets, curtains and blinds should be opened. This ensures optimal ventilation.
- In the morning, lift up all cushions, air out storage boxes and dry any damp areas.



- ▷ If condensation has still developed, just wipe it off.



12.5 Lay-up

12.5.1 Temporary lay-up



- ▶ If the vehicle has been stationary for a long period (approx. 10 months) have the braking and gas systems checked by an authorised specialist workshop.
- ▶ Take into consideration that water is undrinkable after only a short time.

Go through the following checklist before lay-up:

	Activities	Done
Base vehicle	Completely fill fuel tank. This can prevent corrosion to the tank system	
	Jack up the vehicle so that the wheels do not bear any load, or move the vehicle every 4 weeks. This prevents any pressure points from occurring on tyres and wheel bearings	
	Protect the tyres from direct exposure to the sun. Danger of formation of cracks!	
	Inflate tyres up to the recommended maximum pressure	
	Always provide for sufficient ventilation in the underbody area	
	 ▶ Humidity or lack of oxygen e.g. by covering with plastic film may cause optical irregularities to the underbody.	
	Also observe the specifications in the operating instructions of the base vehicle	
Interior	Place upholstery in an upright position for ventilation, and cover	
	Clean cooler	
	Leave the cooler flap slightly open	
Gas system	Close regulator tap on the gas bottle	
	Close the gas isolator tap	
	Always remove the gas bottle from the gas bottle compartment, even if it is empty	
Electrical system	Fully charge living area and starter battery	
	 ▶ Charge the battery for at least 20 hours before a temporary lay-up.	
	Disconnect the living area battery from the 12 V power supply	
Water system	Empty the entire water system. Blow out the residual water from the water pipes (0.5 bar max.). Leave the water tap in central position open. Observe the notes in Chapter 11	


12.5.2 Winter lay-up

Additional measures are required if laying up the vehicle over winter:

	Activities	Done
Base vehicle	Clean body and underbody thoroughly and spray with hot wax or protect with varnish	
	Fill fuel tank with winter diesel	
	Check the frost protection in the cooling water	
	Repaint paint damage	
Body	Keep the forced ventilation open	
	Clean and grease all door and flap hinges	
	Brush oil or glycerine on all locking mechanisms	
	Rub all rubber seals with talc	
	Use graphite dust to treat locking cylinders	
Interior	Position de-humidifiers	
	Remove upholstery from the vehicle and store in a dry place	
	Air the interior every 3 weeks	
	Empty all cabinets and storage compartments, open flaps, doors and drawers	
	Thoroughly clean the interior	
Electrical system	Remove the starter battery and living area battery and store in a place protected from frost (see Chapter 9)	
Water system	Clean the water system using a cleaning agent from a specialised store	
Complete vehicle	Arrange the tarpaulins in such a way that the ventilation openings are not covered, or use porous tarpaulins	

12.5.3 Starting up the vehicle after a temporary lay-up or after lay-up over winter

Go through the following checklist before start-up:

	Activities	Done
Base vehicle	Check the tyre pressure on all tyres	
	Check the tyre pressure of the spare wheel	
Body	Check that the doors, windows and pop-up roof are working properly	
	Check the function of all external locks	
Gas system	Place the gas bottle in the gas bottle compartment, tie down and connect to the gas pressure regulator	
Electrical system	Connect to 230 V external power supply	
	Fully charge living area and starter battery	
	 ▷ Charge at least for 20 hours after laying up.	
	Connect the living area battery with the 12 V power supply (see Chapter 9)	
	Check that the electrical system are working, e.g. interior light, socket and all installed electrical appliances	
Water system	Use several litres of fresh water to rinse out water pipes and water canister. To do this, open the water tap	
	Close the water tap	
	Check that the water tap does not leak	
Appliances	Check the function of the cooler	
	Check the function of the heater	
	Check the function of the gas cooker	

13.1 Official inspections

An official general inspection (HU) of roadworthiness has to be carried out by a recognised body (such as "TÜV", "DEKRA") at regular intervals in accordance with Section 29 of the German Traffic Licencing Regulations ("Straßenverkehrszulassungsordnung" (StVZO)) on vehicles that are registered in Germany.

The respective local regulations apply in other counties.

An authorised specialist workshop has to inspect the gas system every 2 years. This also applies for not registered vehicles. Modifications to the gas system must be checked immediately by an authorised specialist workshop. The authorised specialists workshop certifies the inspection and the proper state in a gas inspection certificate. The gas inspection sticker is applied on the rear of the vehicle near the licence plate.

13.2 Inspection work

Like any technical appliance, the vehicle must be inspected at regular intervals.

This inspection work must be carried out by qualified personnel.

The service centre in charge will confirm the work performed.

Have chassis inspections confirmed in the chassis manufacturer's customer service booklet.



- ▷ Observe the inspections specified by the manufacturer and have them carried out at the specified intervals. The value of the vehicle is thus preserved.
- ▷ The confirmation of the inspection work carried out also serves as valid proof in the case of damage and claims under the guarantee.

13.3 Maintenance work

13.3.1 General

As with every machine, this vehicle requires maintenance. The extent and frequency of the maintenance work required depend on conditions of operation and use. More difficult operating conditions make it necessary to service the vehicle more often.

Have the basic vehicle and the appliances serviced at the intervals specified in the corresponding instruction manuals.

13.3.2 Maintenance work at the pop-up roof



- ▷ The maintenance instructions care must be carried out several times, but at least once per year, depending on how often the pop-up roof is used.
 - If necessary, readjust the locking mechanism of the pop-up roof after it has been used several times.
 - Ventilate the cloth bellows several times a year so that a mouldy smell cannot arise.
 - For the version with a belt lock check the belts and the clips for function and damage.
 - Observe the care instructions of the company SCA.
 - Check and if necessary adjust the roof shell and its mechanical parts.

13.4 Replacing LED lights



- ▶ Lights and light fittings can be extremely hot. Therefore, allow lights to cool down before replacing them.
- ▶ Lights can get very hot. When the light is switched on, a safety distance of 30 cm to combustible material has to be maintained. Fire hazard!



- ▷ Only use LED lights of the same type and with the correct wattage.

13.5 Spare parts



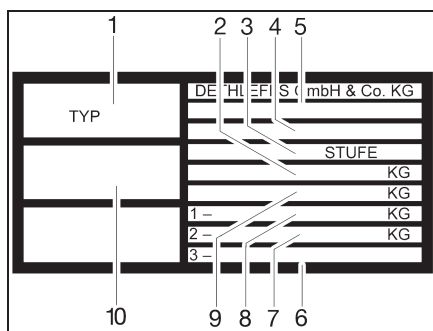
- ▶ Every alteration of the original condition of the vehicle can alter road behaviour and jeopardize road safety.
- ▶ The special equipment and original spare parts recommended by PÖSSL have been specially developed and supplied for your vehicle. Your PÖSSL dealer has these products. Your PÖSSL dealer is informed about admissible technical details and carries out the required work correctly.
- ▶ The use of accessories, parts and fittings not approved by PÖSSL may cause damage to the vehicle and jeopardise road safety. Even if an expert's report, a general type approval or a design certification exists, there is no guarantee for the proper quality of the product.
- ▶ No liability can be assumed for damage caused by products which have not been approved by PÖSSL. This also applies to impermissible alterations to the vehicle.

For safety reasons, spare parts for pieces of equipment must correspond with manufacturer's instructions and be permitted by the manufacturer as a spare part. These spare parts may only be fitted by the manufacturer or an authorised specialist workshop. The PÖSSL dealers are available for any spare parts requirement.

When ordering spare parts, please indicate the serial number and the vehicle type to your PÖSSL dealer.

The vehicle described in this instruction manual is built and equipped to factory standards. Special equipment is offered depending on its purpose or use. When fitting special equipment check if such equipment has to be entered in the vehicle documents. Observe the max. permissible gross weight. Your PÖSSL dealer will be pleased to advise you.

13.6 Vehicle identification plate



- 1 Type
- 2 Maximum permissible gross weight of the vehicle with trailer
- 3 Chassis number
- 4 Manufacturer of the unit (add-on unit)
- 5 EC type approval number
- 6 Permissible rear axle load (for tandem axle)
- 7 Permissible axle load rear
- 8 Permissible axle load front
- 9 Maximum permissible gross weight of the vehicle
- 10 Serial number

Fig. 96 Vehicle identification plate

The vehicle identification plate (Fig. 96) with the serial number is mounted in the area of the passenger's door.

Do not remove the vehicle identification plate. The vehicle identification plate:

- Identifies the vehicle
- Helps with the procurement of spare parts
- Together with the vehicle documents identifies the vehicle owner

13.7 Warning and information stickers

There are warning and information stickers on and inside the vehicle. Warning and information stickers are for the sake of safety and must not be removed.



- ▷ Replacement stickers can be obtained from an authorised dealer or the service centre.

13.8 Changing tyres



- ▷ Note information from the instruction manual of the vehicle manufacturer.



- ▷ The tool for the tyre change is located in the on-board tool set bag (Fig. 97,1) below the bench seat.

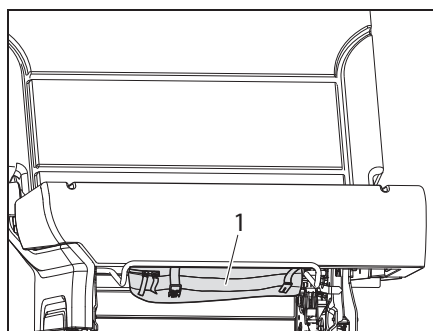


Fig. 97 On-board tool set bag below the bench seat

14.1 Electrical system




▷ When the living area battery is changed, only use batteries of the same type.



▷ See Chapter 9 for changing the fuses.

Fault	Cause	Remedy
Interior lighting does not work	LED light strip defective	Replace LED light strip
	Fuse on the transformer/rectifier is defective	Replace fuse on the transformer/rectifier
No 230 V power supply despite connection	230 V automatic circuit breaker has triggered	Switch on 230 V automatic circuit breaker
Starter or living area battery is not charged when operated in 230 V mode	Jumbo flat fuse (40 A) on the starter or living area battery is defective	Replace jumbo flat fuse (40 A) on the starter or living area battery
	Charger module in the transformer/rectifier is defective	Contact customer service
	The fuse (20 A) for the integrated charger module in the transformer/rectifier is not inserted/is defective	Insert/replace the fuse (20 A) in the transformer/rectifier
Living area battery is not charged during vehicle operation	Fuse on terminal D+ of the alternator is defective	Replace fuse
	Disconnecter relay in the transformer/rectifier is defective	Contact customer service
	Charge booster defective	Contact customer service
12 V indicator lamp does not light up	12 V power supply switched off	Switch 12 V power supply on
	Battery cut-off switch on the transformer/rectifier is switched off	Set battery cut-off switch to on
	Starter or living area battery is not charged	Charge the starter or living area battery
	Disconnecter relay in the transformer/rectifier is defective	Contact customer service
	Flat fuse (2 A) in the living area battery is defective	Replace flat fuse (2 A) in the living area battery

Fault	Cause	Remedy
12 V power supply does not work in 230 V operation	12 V power supply switched off	Switch 12 V power supply on
	Battery cut-off switch on the transformer/rectifier is switched off	Set battery cut-off switch to on
	Charger module in the transformer/rectifier is defective	Contact customer service
	230 V automatic circuit breaker has triggered	Contact customer service
	Jumbo flat fuse (40 A) on the living area battery is defective	Replace jumbo flat fuse (40 A) on the living area battery
Starter battery is discharged in 12 V operation	Disconnecter relay in the transformer/rectifier is defective	Contact customer service
No voltage is supplied by the living area battery	Living area battery is discharged	Charge living area battery immediately  ▷ Total discharge damages the battery. If the vehicle is to be laid up for a long period, fully charge the living area battery beforehand
	Jumbo flat fuse (40 A) on the living area battery is defective	Replace jumbo flat fuse (40 A) on the living area battery

14.2 Gas system



- ▶ In case of a defect of the gas system (gas odour, high gas consumption) there is danger of explosion! Close the regulator tap on the gas bottle immediately. Open doors and windows and ventilate well.
- ▶ In case of a defect in the gas system: Do not smoke; do not ignite any open flames, and do not operate electric switches (light switches etc.).
- ▶ Have the defect in the gas system repaired by an authorised specialist workshop.

Fault	Cause	Remedy
No gas	Gas bottle empty	Changing gas bottles
	Gas isolator tap closed	Open the gas isolator tap
	Regulator tap on the gas bottle is closed	Open regulator tap on the gas bottle
	Outdoor temperature too low (0 °C for butane gas)	Wait for higher external temperatures
	Built-in appliance is defective	Contact customer service
	Remote gas switch blocks gas supply	Activate the remote gas switch, see Chapter 8.7

14.3 Cooker

Fault	Cause	Remedy
Ignition fuse does not operate (flame does not burn after the control knobs are released)	Heat-up time is too short	Keep control knob pressed for approx. 15 to 20 seconds after ignition
	Fuse remote gas switch (Fig. 71,5) 2 A is defective	Renewing fuse remote gas switch
	Ignition fuse is defective	Contact customer service
	Remote gas switch switched off	Turn the remote gas switch to the ON position (Fig. 71,4)
Flame extinguishes when being reduced to its minimum setting	Thermocouple sensor is incorrectly set	Set thermocouple sensor correctly (do not bend). The sensor tip should protrude by 5 mm beyond the burner. The sensor neck should not be more than 3 mm away from the burner ring; if necessary, contact customer service

